

NABER-  
CONTURA®

Sinks



Perfection



Sinks are the most frequently used items in the kitchen – and they have to take a lot of rough treatment. Good reasons to choose them carefully! Reasons to opt for the premium sinks from NABER-CONTURA®, because their appealing design and perfect quality convince with every use. The extremely versatile range in the materials stainless steel, ceramic and composite offers just the right sink for all furnishing styles and individual wishes.

Stainless steel sinks are unbeatably hard-wearing and extremely easy to care for: a fascinating eye-catcher! The high-quality porcelain stoneware of the ceramic sinks with their reserved elegance can handle even the toughest demands. Valuable detail: the convincing colour and shape variants. The composite sinks entice with the touch of their incomparably sleek surface. The Cin-Nagranit material, inspired by nature, guarantees exceptional colour intensity and beauty with outstanding durability, even after many years of use.

Whichever sink you pick: NABER-CONTURA® is always a highlight in the kitchen!

# NABER-CONTURA® Sinks

Somehow typical  
for ambitious kitchens



## NABER-CONTURA® Stainless steel

Traditional material for premium  
sinks – imaginatively designed    Page 9–30

## NABER-CONTURA® Ceramics

Versatile and consistent    Page 31–44

## NABER-CONTURA® Composite

Cin-Nagranit –  
seduction for the senses    Page 49–70

## Overview of sinks

### 300 gauge cupboard width

**Standard S1**  
Stainless steel



Page 29

### 450 gauge cupboard width

**Corno Piu PR2**  
Stainless steel



Page 14

**Corno Basso 2**  
Stainless steel



Page 21

**Riva 2**  
Stainless steel



Page 26

**Nava 3**  
Stainless steel



Page 28

**Standard S8**  
Stainless steel



Page 30

**Corno Piu PFU2**  
Stainless steel



Page 16

**Corno Ora**  
Stainless steel



Page 24

**Nava 1**  
Stainless steel



Page 27

**Standard S2**  
Stainless steel



Page 29

**Vellano 410**  
Stainless steel



Page 51

**Corno Basso PR2**  
Stainless steel



Page 19

**Riva 1**  
Stainless steel



Page 25

**Nava 2**  
Stainless steel



Page 28

**Standard S3**  
Stainless steel



Page 29

**Fontea 860**  
Stainless steel



Page 53

## Overview of sinks

### 500 gauge cupboard width

**Corno Turno 50**  
Stainless steel



Page 12

**Corno Basso PR3**  
Stainless steel



Page 20

**LineUP 2F**  
Ceramics



Page 40

**Vellano 470**  
Composite



Page 52

**Corto 615**  
Composite



Page 61

**Corno Piu PR3**  
Stainless steel



Page 15

**Corno Basso 3**  
Stainless steel



Page 22

**LineUP 1E**  
Ceramics



Page 41

**Fontea 650**  
Composite



Page 53

**Corto 780**  
Composite



Page 63

**Corno Piu PFU3**  
Stainless steel



Page 17

**LineUP 2E**  
Ceramics



Page 39

**LineUP 1F**  
Ceramics



Page 42

**Angola 100**  
Composite



Page 56

**Angola 40**  
Composite



Page 64

### 600 gauge cupboard width

**Corno Turno 60**  
Stainless steel



Page 13

**Corno Piu PFU4**  
Stainless steel



Page 17

**Corno Basso 4**  
Stainless steel



Page 22

**Corno Piu PR4**  
Stainless steel



Page 15

**Corno Piu PFU11**  
Stainless steel



Page 18

**Riva 3**  
Stainless steel



Page 26

**Corno Piu PFU5**  
Stainless steel



Page 17

**Corno Basso 5**  
Stainless steel



Page 22

**Riva 4**  
Stainless steel



Page 26

## Overview of sinks

### 600 gauge cupboard width

**Silqua E**  
Ceramics



Page 33

**PickUP E**  
Ceramics



Page 36

**Spülstein Einzelbecken**  
Ceramics



Page 44

**Fontea 1000**  
Composite



Page 53

**Angola 150**  
Composite



Page 59

**Silqua F**  
Ceramics



Page 33

**PickUP F**  
Ceramics



Page 37

**Silqua 570**  
Composite



Page 51

**Fiola 540**  
Composite



Page 54

**Angola 56**  
Composite



Page 66

**Silqua U**  
Ceramics



Page 34

**PickUP U**  
Ceramics



Page 38

**Vellano 570**  
Composite



Page 52

**Angola 100 L**  
Composite



Page 57

**Singoli 600**  
Composite



Page 67

### 800 gauge cupboard width

**Vellano 790**  
Composite



Page 52

### 900 gauge cupboard width

**Spülstein Doppelbecken**  
Ceramics



Page 44

### Top mounted washbasin

**Patera 40**  
Ceramics



Page 47

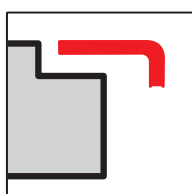
**Lavara 60**  
Ceramics



Page 48

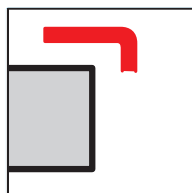
# Types of installation

## Perfectly integrated in every way

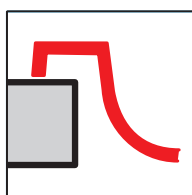


### Sinks with flat edge

Adapted to the materiality of the work surface, surface or flush mounted, attractively minimalist sink optics are combined with maximum functionality.



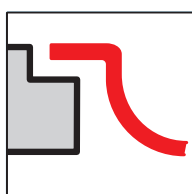
For surface or inset mounting of the sink, depending on the nature of the work surface.



### Installation from above

Sinks with classic profiled outer edge for various daily use.

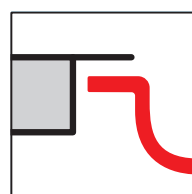
Faster and easier surface mounting in all types of work surfaces.



### Flush installation

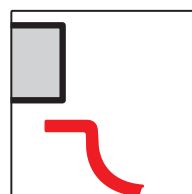
Flush installation combines the sink and work surface in an elegant combination and offers maximum convenience.

Especially recommended for granite, stone and glass work surfaces.



### Flush installation from below

The laminate decor of the worktop borders on the edge of the bowl or the draining surface. A permanent bond under the laminate ensures easy working on one level.

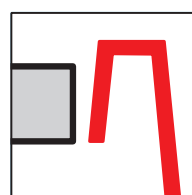


### Sinks for installation from below

Continuous sealed work surfaces with classical sinks installed from below highlight the material of the work surface and offer continuous convenience without bothersome edges.

Ideal for work surfaces in granite, stone, artificial stone, ceramic and glass.

(Special mounting solutions or bonding provide a durable connection between work surface and sink.)



### Sink module between work surfaces

Solitaire sink modules or classic butler sinks integrated as preparation and dishwashing centres between the adjacent work surfaces open up functional areas with a special flair.

Compatible with all types of work surfaces.



# NABER-CONTURA®

## Stainless steel

Material for premium sinks –  
imaginatively designed



■ Corno Turno	Page 12–13
Corno Piu PR	Page 14–15
Corno Piu PFU	Page 16–18
Corno Basso PR	Page 19–20
Corno Basso	Page 21–22
Drip tray large	Page 23
Drip tray small	Page 23
Cutting board	Page 23
Bowl connector	Page 23
Filo dish drainer	Page 23
Filso drip mat	Page 23
Corno Ora	Page 24
Riva	Page 25–26
Nava	Page 27–28
Standard	Page 29–30
Spare parts	Page 30

# Stainless steel

## Properties



### Stainless steel sinks

are made of standardized stainless steel 18/10, i.e. 18 % chrome + 10 % nickel which results in a high quality alloy (**material no. 1.43019**).

Therefore, you receive a non-porous surface, which is easy to clean and corrosion and heat resistant.

### Flat edge

Due to their especially flat edge, the ranges Corno Piu and Corno Basso ensure a harmonious transition to the worktop in the kitchen. Therefore, no dirty edges form around the sink.



# Stainless steel



## Care instructions

### Rust

Given common household wear and regular maintenance of the sink, no rust will be able to form. Small iron and rust particles from the water pipe may, especially in case of new buildings or maintenance work performed on the pipes, give the impression of traces of rust. You should therefore observe the following tips when taking care of your stainless steel sinks:

- Regularly remove dirt and lime deposits.
- Do not use a cleaning agent containing chlorine (usually sodium hypochlorite) or hydrochloric acid.
- If you use steel wool for cleaning, then it must consist of "Stainless steel rust-free".
- Avoid longer exposure to liquids with a high concentration of common salt.
- Avoid direct, long-term contact to rusting iron parts (for instance cast-iron pans or iron filings).

### Spotty contamination

is usually caused by lime scale, occurring more or less, depending on the hardness of the drinking water supplied (information is provided by the community waterworks). This tends to bind dirt particles, so that this spotty contamination is created after only a short time.

- You can prevent such spots by drying the sink after each use.
- Should spots still occur, then use any commercially available cleaning agent for stainless steel care and lime scale.
- We recommend use of the **stainless steel system care set\*** for optimum daily cleaning and stainless steel care.

### Scratch marks

Our stainless steel sinks with high gloss surface are manufactured with the greatest care and using state-of-the-art manufacturing and processing methods.

The material properties of stainless steel 18/10 currently still exclude absolute scratch resistance and small scratch marks are therefore normal. Only by means of regular care using the recommended care set **stainless steel system care set\*** will a pearl-finished glossy surface be achieved after about 2-4 weeks.

- **Important:**  
Make sure that the stainless steel surface is not treated against the polishing grain!



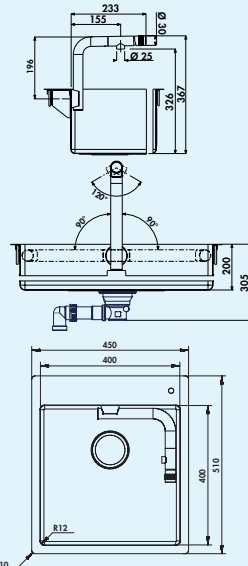
### Corno Turno

With its permanently integrated faucet, a sink innovation becomes the centre of urban styled kitchens. Minimalist single-bowl aesthetics and high ease of use of the continuously 180° swivelling faucet stand for the perfection of a unique stainless steel combination. Intuitive and capable of being sunk into the bowl in one movement, the elegant faucet clears the way for perfect installation in front of a window at worktop level.

The rotating spout enables vertical water flow in any position.

In addition, valuable work surface is created by the two-piece optional cover that bridges the entire sink. Plenty of free space for all preparatory work and the faucet can still be used in the middle position due to a cut-out. Stainless steel quality with a material thickness of 1 mm ensures high quality and dimensional stability in either surface-mounted or flush-mounted installation. Sink and mixer concealed with chopping board serves as free work surface especially practical in small kitchens.

Design by tbSTUDIO, Berlin.



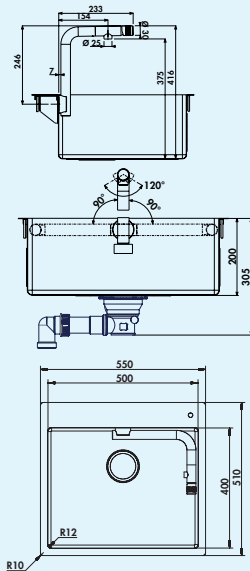
### Corno Turno 50

Built-in sink. 3½" basket strainer valve flush with push-button excenter fitting. With single-lever mixer integrated into the bowl wall, stainless steel finish, swivel spout 180°, 120° rotating.

- flat edge: also suitable for flush mounting
- suitable for worktop thicknesses from 10 mm to 40 mm
- cut-out approx. 435 x 495 mm (built-in sink)
- bowl depth 200 mm
- with integrated single-lever mixer, stainless steel finish, high pressure
- infinitely 180° swivelling and positioning
- vertical water outlet in every position of the faucet
- ergonomic operation by single-lever mixer at the outlet end
- windows can be planned on worktop level and are simply opened

1041002 set (sink and Turno faucet)

€ 1,059.16



## Corno Turno 60

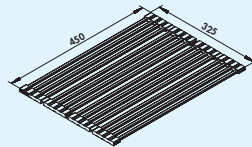


Built-in sink. 3½" basket strainer valve flush with push-button excenter fitting. With single-lever mixer integrated into the bowl wall, stainless steel finish, swivel spout 180°, 120° rotating.

- flat edge: also suitable for flush mounting
- suitable for worktop thicknesses from 10 mm to 40 mm
- cut-out approx. 535 x 495 mm (built-in sink)
- bowl depth 200 mm
- with integrated single-lever mixer, stainless steel finish, high pressure
- infinitely 180° swivelling and positioning
- vertical water outlet in every position of the faucet
- ergonomic operation by single-lever mixer at the outlet end
- windows can be planned on worktop level and are simply opened

1041001 set (sink and Turno faucet)

€ 1,074.90



## Filo dish drainer

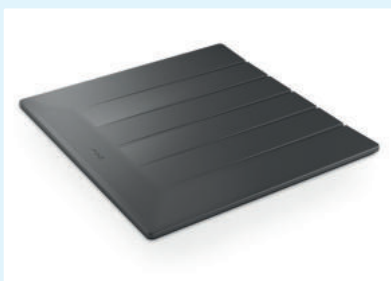


Folding mat. Foldable. Hollow stainless-steel rods ground, black silicone holder, food safe.

- foldable in segments
- stainless steel/silicone
- flat hollow rods in contoured silicone strips
- non-slip
- suitable for draining board or worktop
- 325 x 450 mm (W x D)

1013041 stainless steel

€ 66.35



## Filso drip mat

Drip mat made of silicone. Suitable for sub-structure and flush mounted sinks.

- food safe
- dishwasher safe
- temperature resistance -40 to 230 °C
- not suitable for cutting
- no folding
- 415 x 390 mm (W x D)

1013058 anthracite

€ 110.58



## Chopping board made of bamboo

Chopping board. Two-piece, covers the entire sink.

1014055 for Corno Turno 50, 412 x 206 mm

€ 199.23

1014056 for Corno Turno 60, 412 x 256 mm

€ 219.41

## INFO BROCHURE

[naber.com/en/downloads/](http://naber.com/en/downloads/)

### Corno Turno 50/60

Urban-style kitchens are experiencing an innovation in sinks





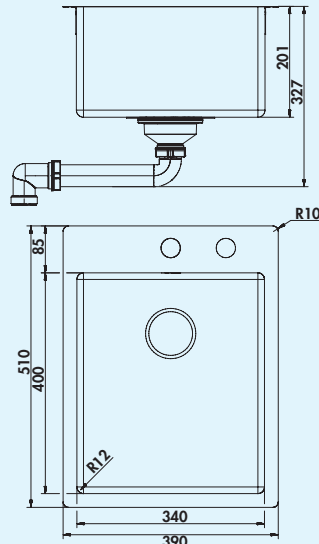
### Corno Piu PR

In terms of form and style, the new Corno single basin series with integrated tap ledge focuses on minimalist, straight-line design, small bowl and edge radii and on the particular valency achieved by the highly durable quality of the 1 mm thick stainless steel material.

A push-button elegantly integrated flush into the tap ledge opens and closes the standard eccentric fitting with **strainer basket valve which is flush to the bottom**. The discreet **overflow** blends in **flush** with the sink geometry. The narrow rim ensures flat surface-mounted installation as well as flush installation. The wet ground finish creates a fine structure that makes the surface less susceptible to signs of use, facilitates the cleaning of the sink and allows water to drain more easily.



450  
mm  
CABINET



### Corno Piu PR2



Built-in sink. Single bowl. 3½" basket strainer valve flush with push-button excenter fitting in stainless steel and basket strainer valve flush with the bottom.

**Flat edge: also suitable for flush installation**

- suitable for worktop thicknesses from 10 mm to 40 mm
- cut-out dimensions ca. 375 x 495 mm (built-in sink)

1013113 stainless steel € 602.09

#### Optional accessories

1013044 Drip tray large, stainless steel € 208.01

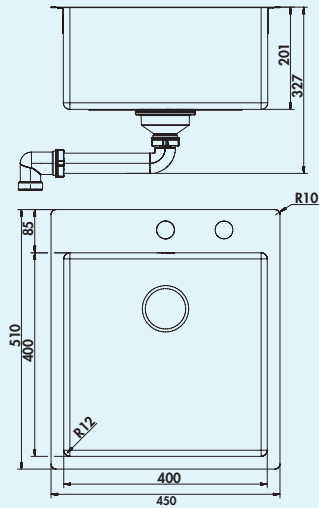
1013043 Drip tray small, stainless steel € 186.94

1013045 Cutting board made of plastic, white € 120.25

1013041 Filo dish drainer, stainless steel € 66.35



500 mm  
CABINET



## Corno Piu PR3



Built-in sink. Single bowl. 3½" basket strainer valve flush with push-button excenter fitting in stainless steel and basket strainer valve flush with the bottom.

**Flat edge: also suitable for flush installation**

- suitable for worktop thicknesses from 10 mm to 40 mm
- cut-out dimensions ca. 435 x 495 mm (built-in sink)

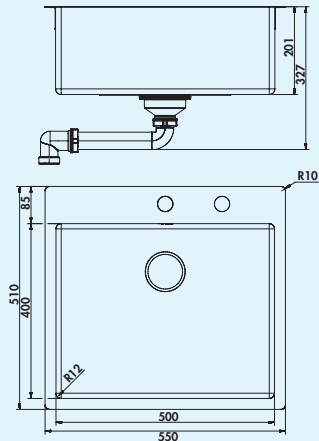
1013114 stainless steel € 645.98

### Optional accessories

1013044	Drip tray large, stainless steel	€ 208.01
1013043	Drip tray small, stainless steel	€ 186.94
1013045	Cutting board made of plastic, white	€ 120.25
1013041	Filo dish drainer, stainless steel	€ 66.35



600 mm  
CABINET



## Corno Piu PR4



Built-in sink. Single bowl. 3½" basket valve with push-button excenter fitting in stainless steel and basket strainer valve flush with the bottom.

**Flat edge: also suitable for flush installation**

- suitable for worktop thicknesses from 10 mm to 40 mm
- cut-out dimensions ca. 535 x 495 mm (built-in sink)

1013112 stainless steel € 708.29

### Optional accessories

1013044	Drip tray large, stainless steel	€ 208.01
1013043	Drip tray small, stainless steel	€ 186.94
1013045	Cutting board made of plastic, white	€ 120.25
1013041	Filo dish drainer, stainless steel	€ 66.35

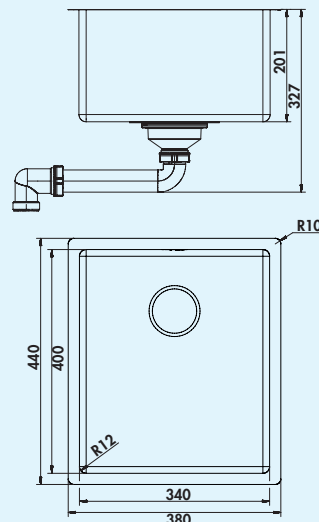


### Corno Piu PFU

The further developed Corno single basin series is characterised by symmetrical edge geometry and small basin and edge radii. The precise processing of the 1 mm thick stainless steel material guarantees a high level of durability and quality in use. Aesthetics in detail are evident in the **flush integrated overflow** and the strainer **basket valve integrated flush with the bottom**. The all-round narrow bowl rim ensures flat surface-mounted installation, flush installation and problem-free substructure installation.

The wet ground finish creates a fine structure that makes the surface less susceptible to signs of use, facilitates the cleaning of the sink and allows water to drain more easily.

**Suitable for worktop thicknesses from 10–40 mm (built-in sink) and from 20 mm (sub-structure sink).**



### Corno Piu PFU2



Built-in/sub-structure sink. Single bowl. 3½" drain and spill-over fitting with basket strainer valve flush with the bottom. When using the mounting brackets supplied, the installation width required increases by approx. 30 mm per side in case of the sub-structure sink.

**Flat edge: also suitable for flush installation**

- cut-out dimensions ca. 370 x 430 mm (built-in sink)
- cut-out dimensions ca. 341 x 401 mm (substructure sink)

**1013124** stainless steel € 394.07

#### Optional accessories

**1014046** Rotational knob excenter fitting, for Corno Piu PFU 2–11 € 58.80

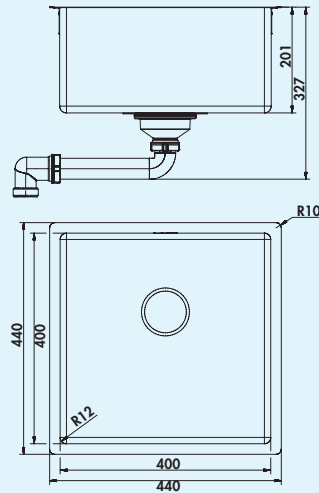
**1013043** Drip tray small, stainless steel € 186.94

**1013045** Cutting board made of plastic, white € 120.25

**1013041** Filo dish drainer, stainless steel € 66.35



500 mm  
CABINET



## Corno Piu PFU3



Built-in/sub-structure sink. Single bowl. 3/2" drain and spill-over fitting with basket strainer valve flush with the bottom. When using the mounting brackets supplied, the installation width required increases by approx. 30 mm per side in case of the sub-structure sink.

### Flat edge: also suitable for flush installation

- cut-out dimensions ca. 430 x 430 mm (built-in sink)
- cut-out dimensions ca. 401 x 401 mm (substructure sink)

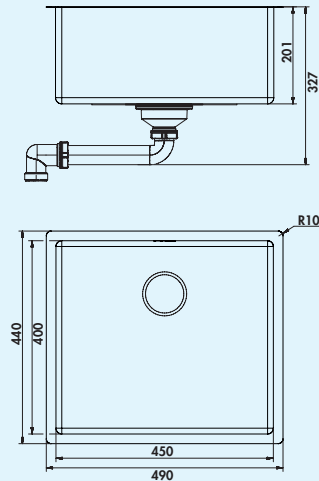
1013123 stainless steel € 410.76

### Optional accessories

1014046	Rotational knob excenter fitting, for Corno Piu PFU 2-11	€ 58.80
1013044	Drip tray large, stainless steel	€ 208.01
1013043	Drip tray small, stainless steel	€ 186.94
1013045	Cutting board made of plastic, white	€ 120.25
1013041	Filo dish drainer, stainless steel	€ 66.35



600 mm  
CABINET



## Corno Piu PFU5



Built-in/sub-structure sink. Single bowl. 3/2" drain and spill-over fitting with basket strainer valve flush with the bottom. When using the mounting brackets supplied, the installation width required increases by approx. 30 mm per side in case of the sub-structure sink.

### Flat edge: also suitable for flush installation

- cut-out dimensions ca. 480 x 430 mm (built-in sink)
- cut-out dimensions ca. 451 x 401 mm (substructure sink)

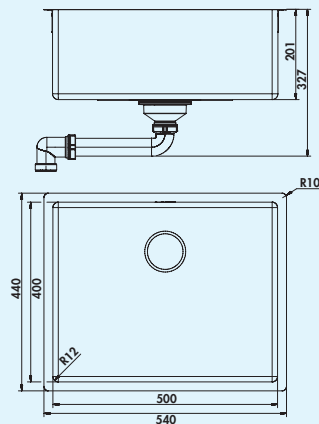
1013126 stainless steel € 416.90

### Optional accessories

1014046	Rotational knob excenter fitting, for Corno Piu PFU 2-11	€ 58.80
1013044	Drip tray large, stainless steel	€ 208.01
1013043	Drip tray small, stainless steel	€ 186.94
1013045	Cutting board made of plastic, white	€ 120.25
1013041	Filo dish drainer, stainless steel	€ 66.35



600 mm  
CABINET



## Corno Piu PFU4



Built-in/sub-structure sink. Single bowl. 3/2" drain and spill-over fitting with basket strainer valve flush with the bottom. When using the mounting brackets supplied, the installation width required increases by approx. 30 mm per side in case of the sub-structure sink.

### Flat edge: also suitable for flush installation

- cut-out dimensions ca. 530 x 430 mm (built-in sink)
- cut-out dimensions ca. 501 x 401 mm (substructure sink)

1013122 stainless steel € 427.43

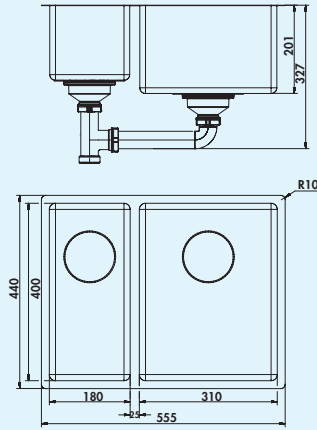
### Optional accessories

1014046	Rotational knob excenter fitting, for Corno Piu PFU 2-11	€ 58.80
1013044	Drip tray large, stainless steel	€ 208.01
1013043	Drip tray small, stainless steel	€ 186.94
1013045	Cutting board made of plastic, white	€ 120.25
1013041	Filo dish drainer, stainless steel	€ 66.35

# NABER-CONTURA<sup>®</sup> Stainless steel

Order no. Description

per piece excl. VAT



## Corno Piu PFU11



Built-in/sub-structure sink. With half sink. Both bowls with 3½" drain and spill-over fitting and basket strainer valve flush with the bottom. When using the mounting brackets supplied, the installation width required increases by approx. 30 mm per side in case of the sub-structure sink.

### Flat edge: also suitable for flush installation

- cut-out dimensions ca. 545 x 430 mm (built-in sink)
- cut-out dimensions ca. 516 x 401 mm (substructure sink)
- **without half sink insert**

1013120	stainless steel, bowl right	€ 831.16
1013121	stainless steel, bowl left	€ 831.16

### Optional accessories

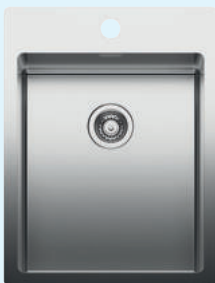
1013042	Half sink insert, stainless steel	€ 208.89
1014046	Rotational knob excenter fitting, for Corno Piu PFU 2-11	€ 58.80
1013044	Drip tray large, stainless steel	€ 208.01
1013043	Drip tray small, stainless steel	€ 186.94
1013045	Cutting board made of plastic, white	€ 120.25



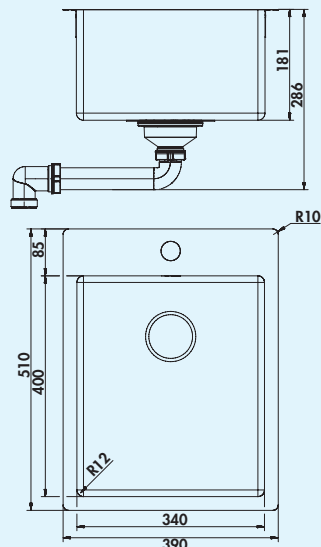
### Corno Basso PR

The understated design of the all-round sink rim is continued in the integrated faucet bench of the Corno Basso PR series. Thus, each built-in sink model convinces with contemporary minimalism. Recommended combinations of sink and faucet are presented as a set offer.

The streamlined and symmetrical stainless-steel sinks are ideal for flush and surface-mounted installation. Both options ensure a harmonious transition to the worktop. The Corno Basso PR models feature the small bowl and rim radii typical of the Corno series. Thanks to the first-class workmanship of the stainless-steel material, they are extremely hard-wearing and easy to clean.



450 mm  
CABINET



### Corno Basso PR2



Built-in sink. Single bowl. 3/2" drain and spill-over fitting.

**Flat edge: also suitable for flush installation**

- suitable for worktop thicknesses from 10 mm to 40 mm
- cut-out dimensions ca. 375 x 495 mm (built-in sink)

1013144 stainless steel € 459.91

#### Optional accessories

1013044 Drip tray large, stainless steel € 208.01

1013043 Drip tray small, stainless steel € 186.94

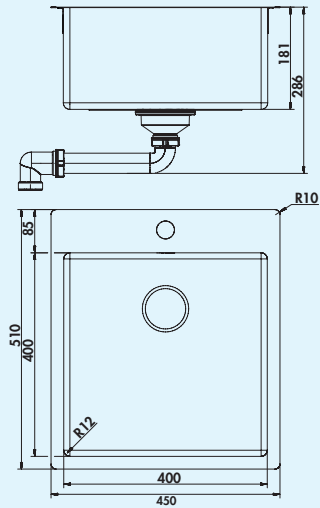
1013045 Cutting board made of plastic, white € 120.25

1013041 Filo dish drainer, stainless steel € 66.35

# NABER-CONTURA<sup>®</sup> Stainless steel

Order no. Description

per piece excl. VAT



## Corno Basso PR3



Built-in sink. Single bowl. 3½" drain and spill-over fitting.

**Flat edge: also suitable for flush installation**

- suitable for worktop thicknesses from 10 mm to 40 mm
- cut-out dimensions ca. 435 x 495 mm (built-in sink)

1013145	stainless steel	€ 500.27
---------	-----------------	----------

### Optional accessories

1013044	Drip tray large, stainless steel	€ 208.01
---------	----------------------------------	----------

1013043	Drip tray small, stainless steel	€ 186.94
---------	----------------------------------	----------

1013045	Cutting board made of plastic, white	€ 120.25
---------	--------------------------------------	----------

1013041	Filo dish drainer, stainless steel	€ 66.35
---------	------------------------------------	---------

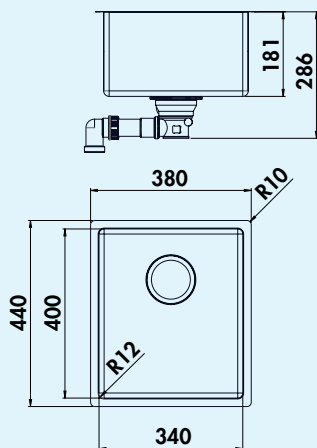


### Corno Basso

The new Basso series fits conceptually into the minimalist Corno design concept with individual bowls for built-in or substructure installation, and is characterised by a straightforward design language, symmetrical edge geometry and small bowl and edge radii. Values such as durability and quality in use are guaranteed by the particularly precise processing of the 1 mm thick stainless steel material. The all-round narrow bowl rim ensures flat surface-mounted installation, flush installation and problem-free substructure installation. With four bowl sizes and faucet set combinations, a wide range of kitchen plans can be realised. Optional accessories such as the stainless steel push button, half sink, draining tray and chopping board complete the exclusive Corno own-brand range.

The wet ground finish creates a fine structure that makes the surface less susceptible to signs of use, facilitates the cleaning of the sink and allows water to drain more easily.

**The sinks are suitable for worktop thicknesses from 10–40 mm (built-in sink) and from 20 mm (sub-structure sink).**



### Corno Basso 2



Built-in/sub-structure sink. Single bowl. 3½" drain and spill-over fitting. When using the mounting brackets supplied, the installation width required increases by approx. 30 mm per side in case of the sub-structure sink.

**Flat edge: also suitable for flush installation**

- cut-out dimensions ca. 370 x 430 mm (built-in sink)
- cut-out dimensions ca. 340 x 400 mm (substructure sink)

1013140 stainless steel € 346.68

#### Optional accessories

1014047	Rotational knob excenter fitting, for Corno Basso 2–5	€ 53.80
1013044	Drip tray large, stainless steel	€ 208.01
1013043	Drip tray small, stainless steel	€ 186.94
1013045	Cutting board made of plastic, white	€ 120.25
1013041	Filo dish drainer, stainless steel	€ 66.35
1013059	Pull knob excenter fitting, for Corno Basso sinks	€ 103.57

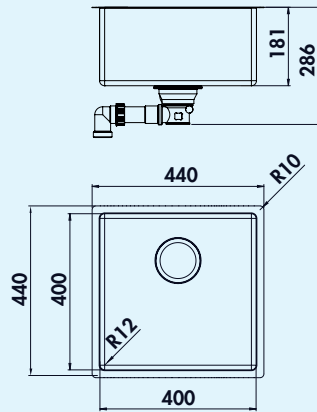
# NABER-CONTURA<sup>®</sup> Stainless steel

Order no. Description

per piece excl. VAT



500  
mm  
CABINET



## Corno Basso 3



Built-in/sub-structure sink. Single bowl. 3½" drain and spill-over fitting. When using the mounting brackets supplied, the installation width required increases by approx. 30 mm per side in case of the sub-structure sink.

**Flat edge: also suitable for flush installation**

- cut-out dimensions ca. 430 x 430 mm (built-in sink)
- cut-out dimensions ca. 400 x 400 mm (substructure sink)

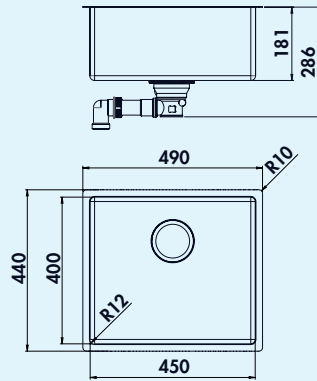
1013141 stainless steel € 359.85

### Optional accessories

1014047	Rotational knob excenter fitting, for Corno Basso 2-5	€ 53.80
1013044	Drip tray large, stainless steel	€ 208.01
1013043	Drip tray small, stainless steel	€ 186.94
1013045	Cutting board made of plastic, white	€ 120.25
1013041	Filo dish drainer, stainless steel	€ 66.35
1013059	Pull knob excenter fitting, for Corno Basso sinks	€ 103.57



600  
mm  
CABINET



## Corno Basso 5



Built-in/sub-structure sink. Single bowl. 3½" drain and spill-over fitting. When using the mounting brackets supplied, the installation width required increases by approx. 30 mm per side in case of the sub-structure sink.

**Flat edge: also suitable for flush installation**

- cut-out dimensions ca. 480 x 430 mm (built-in sink)
- cut-out dimensions ca. 450 x 400 mm (substructure sink)

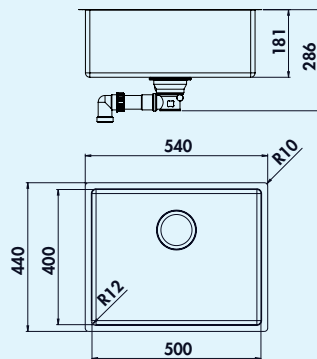
1013142 stainless steel € 384.42

### Optional accessories

1014047	Rotational knob excenter fitting, for Corno Basso 2-5	€ 53.80
1013044	Drip tray large, stainless steel	€ 208.01
1013043	Drip tray small, stainless steel	€ 186.94
1013045	Cutting board made of plastic, white	€ 120.25
1013041	Filo dish drainer, stainless steel	€ 66.35
1013059	Pull knob excenter fitting, for Corno Basso sinks	€ 103.57



600  
mm  
CABINET



## Corno Basso 4



Built-in/sub-structure sink. Single bowl. 3½" drain and spill-over fitting. When using the mounting brackets supplied, the installation width required increases by approx. 30 mm per side in case of the sub-structure sink.

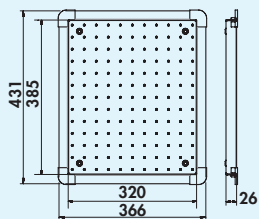
**Flat edge: also suitable for flush installation**

- cut-out dimensions ca. 530 x 430 mm (built-in sink)
- cut-out dimensions ca. 500 x 400 mm (substructure sink)

1013143 stainless steel € 390.56

### Optional accessories

1014047	Rotational knob excenter fitting, for Corno Basso 2-5	€ 53.80
1013044	Drip tray large, stainless steel	€ 208.01
1013043	Drip tray small, stainless steel	€ 186.94
1013045	Cutting board made of plastic, white	€ 120.25
1013041	Filo dish drainer, stainless steel	€ 66.35
1013059	Pull knob excenter fitting, for Corno Basso sinks	€ 103.57



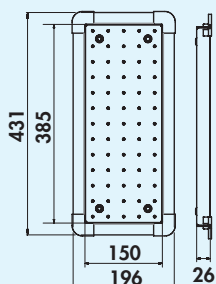
## Drip tray large

– 366 mm x 431 mm (W x D)



1013044 stainless steel

€ 208.01



## Drip tray small

– 196 mm x 431 mm (W x D)



1013043 stainless steel

€ 186.94

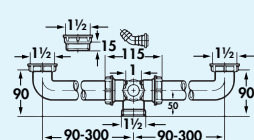
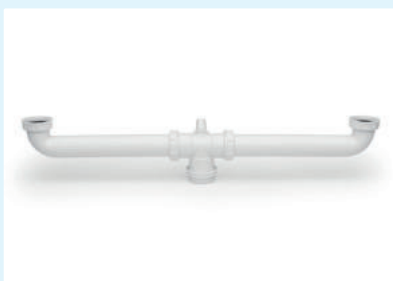


## Cutting board made of plastic

– 320 mm x 420 mm (W x D)

1013045 white

€ 120.25

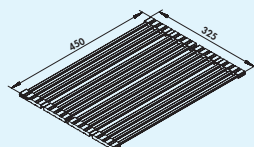


## Bowl connector

Connector for 2 bowls. Required, if two Corno bowls are to be connected to each other.

1013048 white

€ 29.22



## Filo dish drainer

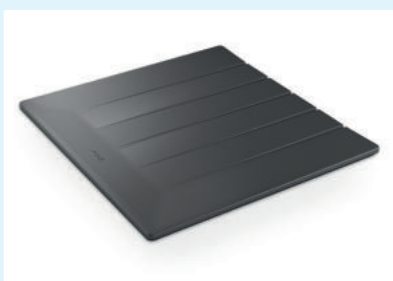
Folding mat. Foldable. Hollow stainless-steel rods ground, black silicone holder, food safe.

- foldable in segments
- stainless steel/silicone
- flat hollow rods in contoured silicone strips
- non-slip
- suitable for draining board or worktop
- 325 x 450 mm (W x D)



1013041 stainless steel

€ 66.35



## Filso drip mat

Drip mat made of silicone. Suitable for sub-structure and flush mounted sinks.

- food safe
- dishwasher safe
- temperature resistance –40 to 230 °C
- not suitable for cutting
- no folding
- 415 x 390 mm (W x D)

1013058 anthracite

€ 110.58

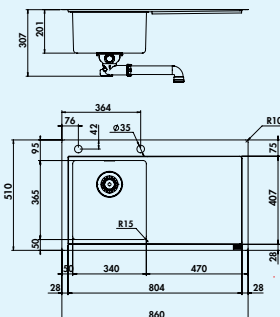


### Corno Ora

The timeless, purist design of the Corno Ora also follows the basic design principle of the Corno line: to reduce form and function to the essentials. Flat rim and narrow radii (15 mm) are the defining features. The ergonomic arrangement of deep basin and large draining board, connected by a guide rail along the complete longitudinal axis for the flexible placement of a chopping board, facilitate the work processes during rinsing and preparation. High quality and dimensional stability with flush and surface installation is ensured by the production of stainless steel in 1 millimetre material thickness. The sink is equipped with a reinforced tap ledge for stable mounting of the faucet. In addition, the platform is reinforced for increased stability and high-quality acoustics.



Order no. 1014042



### Corno Ora



Built-in sink. With draining surface. 3½" basket strainer valve flush, rotational knob excenter fitting.

#### Flat edge: also suitable for flush installation

- suitable for worktop thicknesses from 30 mm to 40 mm
- cut-out dimensions ca. 480 x 490 mm (built-in sink)

1014040	stainless steel, bowl right	€ 833.79
1014041	bac/gauche, bowl left	€ 833.79

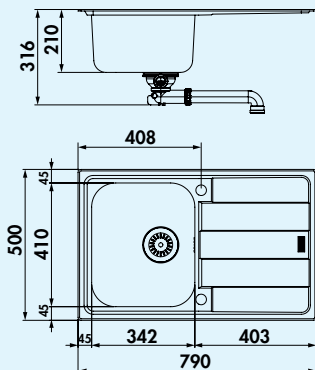
#### Optional accessories

1014042	Drip tray, stainless steel	€ 188.70
1014043	Cutting board made of plastic, white	€ 127.26



### Riva

The Riva sink series impresses with its contemporary and simple design. The sinks of the Riva series are suitable for flat surface mounting on the work surface.



Order no. 1014014



### Riva 1



Built-in sink. With draining surface, reversible. 3½" basket strainer valve flush, rotational excenter fitting.  
 – suitable for worktop thicknesses from 30 mm to 40 mm  
 – cut-out dimensions ca. 770 x 480 mm

1014020 stainless steel € 282.62

#### Optional accessories

1014014 Drip tray, stainless steel, 342 x 410 mm € 140.43

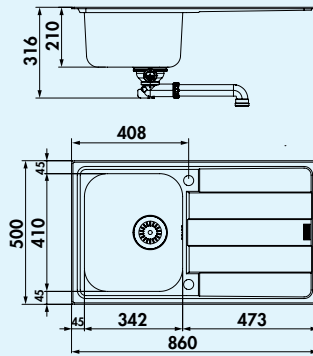
# NABER-CONTURA® Stainless steel

Order no. Description

per piece excl. VAT



Order no. 1014014



## Riva 2



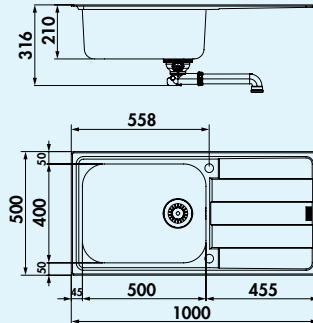
Built-in sink. With draining surface, reversible. 3/2" basket strainer valve flush, rotational excenter fitting.

- suitable for worktop thicknesses from 30 mm to 40 mm
- cut-out dimensions ca. 835 x 475 mm

1014021	stainless steel	€ 282.62
---------	-----------------	----------

### Optional accessories

1014014	Drip tray, stainless steel, 342 x 410 mm	€ 140.43
---------	--	----------



## Riva 3



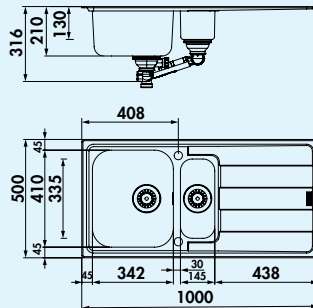
Built-in sink. With draining surface, reversible. 3/2" basket strainer valve flush, rotational excenter fitting.

- suitable for worktop thicknesses from 30 mm to 40 mm
- cut-out dimensions ca. 975 x 475 mm

1014022	stainless steel	€ 431.82
---------	-----------------	----------



Order no. 1014014



## Riva 4



Built-in sink. With draining surface and half sink, reversible. 3/2" basket strainer valve flush, rotational excenter fitting in the large bowl, half sink closeable.

- suitable for worktop thicknesses from 30 mm to 40 mm
- cut-out dimensions ca. 975 x 475 mm
- **without half sink insert**

1014023	stainless steel	€ 361.60
---------	-----------------	----------

### Optional accessories

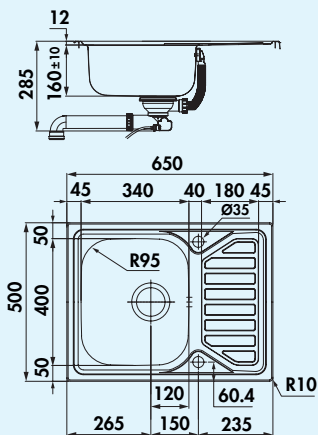
1014014	Drip tray, stainless steel, 342 x 410 mm	€ 140.43
---------	--	----------

1014013	Half sink insert, stainless steel	€ 100.93
---------	-----------------------------------	----------



### Nava

These sinks with their rhythmically outlined shapes complement the functional product range, giving it high longevity and durability.



450 mm  
CABINET

### Nava 1



Built-in sink. With draining surface, reversible. 3/2" basket strainer valve flush, rotational excenter fitting.  
 – suitable for worktop thicknesses from 17 mm to 40 mm  
 – cut-out dimensions ca. 630 x 480 mm

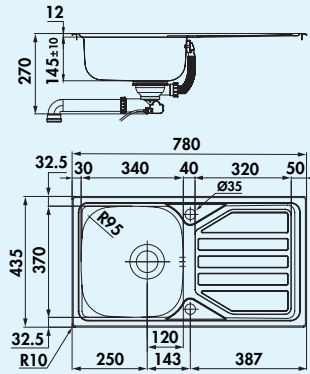
1015040 stainless steel

€ 267.69

# NABER-CONTURA® Stainless steel

Order no. Description

per piece excl. VAT



450 mm  
CABINET

## Nava 2

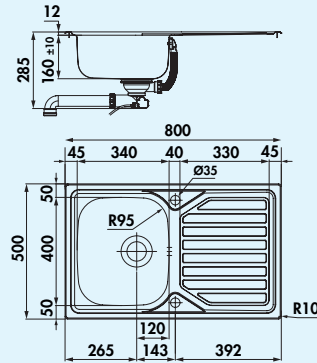


Built-in sink. With draining surface, reversible. 3½" basket strainer valve flush, rotational excenter fitting.

- suitable for worktop thicknesses from 17 mm to 40 mm
- cut-out dimensions ca. 760 x 415 mm

1015041 stainless steel

€ 204.50



450 mm  
CABINET

## Nava 3



Built-in sink. With draining surface, reversible. 3½" basket strainer valve flush, rotational excenter fitting.

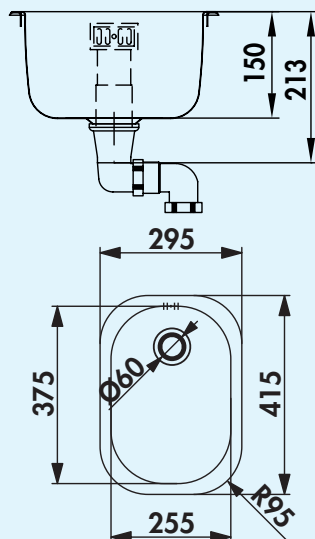
- suitable for worktop thicknesses from 17 mm to 40 mm
- cut-out dimensions ca. 780 x 480 mm

1015042 stainless steel

€ 277.35



300 mm  
CABINET



## Standard S1



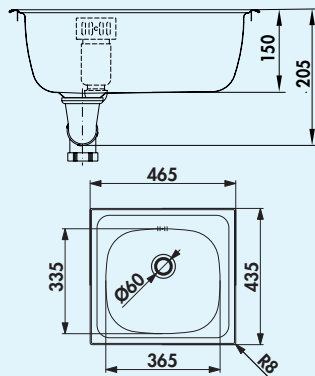
Built-in sink. Single bowl. 1½" drain and spillover fittings.  
 – suitable for worktop thicknesses from 30 mm to 40 mm  
 – cut-out dimensions according to template

1016056 stainless steel

€ 196.61



450 mm  
CABINET



## Standard S2



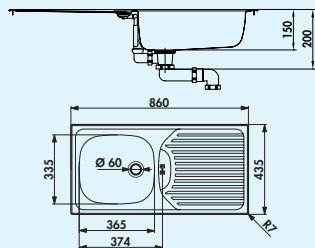
Built-in sink. Single bowl. 1½" drain and spillover fittings.  
 – suitable for worktop thicknesses from 30 mm to 40 mm  
 – cut-out dimensions ca. 445 x 415 mm

1016057 stainless steel

€ 181.67



450 mm  
CABINET



## Standard S3



Built-in sink. With draining surface, reversible. 1½" drain and spillover fittings, incl. spill-over in the draining surface.  
 – suitable for worktop thicknesses from 30 mm to 40 mm  
 – cut-out dimensions ca. 840 x 415 mm

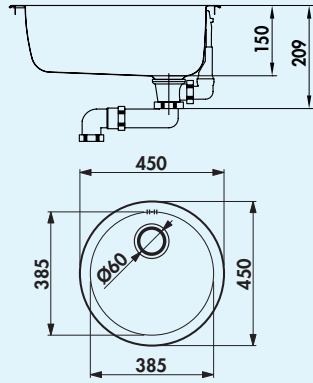
1016042 stainless steel

€ 130.56

# NABER-CONTURA<sup>®</sup> Stainless steel

Order no. Description

per piece excl. VAT



## Standard S8



- Built-in sink. Single round bowl. 1½" drain and spillover fittings.  
 – suitable for worktop thicknesses from 30 mm to 40 mm  
 – cut-out dimensions as per template

1016108	stainless steel	€ 174.66
---------	-----------------	----------

## Drain and spillover valve

1010046	3½", for Corno Basso	€ 32.91
1010047	3½", for Corno Piu PFU 11	€ 52.58
1010048	3½", for Corno Piu PFU 1-5	€ 34.66
1016041	1½", for Standard S3	€ 23.96
1016058	1½", for Standard S1, S2 und S8	€ 13.88

## Rotational excenter fitting

- 3½" basket strainer valve flush

1014090	3½" basket strainer valve flush, for Riva 1-3	€ 53.90
1014091	3½" basket strainer valve flush, for Riva 4	€ 74.34

# NABER-CONTURA® Ceramics

Versatile and consistent



■ Silqua E	Page 33
Silqua F	Page 33
Silqua U	Page 34
PickUP E	Page 36
PickUP F	Page 37
PickUP U	Page 38
LineUP 2E	Page 39
LineUP 2F	Page 40
LineUP 1E	Page 41
LineUP 1F	Page 42
Filo dish drainer	Page 43
Filso drip mat	Page 43
Cover cap drain cover	Page 43
Premium rotational excenter	Page 43
Bowl insert	Page 43
Chopping board made of bamboo	Page 43
Butler sinks	Page 44
Patera 40	Page 47
Lavara 60	Page 48

# NABER-CONTURA®

## SILQUA ceramic



Flowing lines, sophisticated details, sink pure!

Made of high-quality ceramic for maximum quality and lasting brilliant beauty! SILQUA is cleverly designed. Soft radii inspired by flowing water reduce the cleaning work and the risk of impact damage.

The faucet is placed on a faucet ledge integrated into the sink. This means that your hands stay inside when using the faucet, so water can drip into the sink instead of having to be wiped away outside. Glasses or cups can dry on the embossed drainage grooves of the faucet ledge.

Developed in collaboration with  
Hans Winkler Design, Grafenau

Sample book  
Order no. 1100032



Optional cover caps  
for the sink drain



Further information  
about SILQUA in the  
online magazine →



Product overview  
of all NABER-CONTURA®  
premium sinks →



### Perfectly integrated



**Surface-mounted**  
With a classic profiled  
outer edge



**Flush-mounted**  
Elegant combination with  
maximum convenience



**Substructure-mounted**  
Seamlessly simple, with no  
disturbing edges

### Trend colours for every setting



Colour:  
nero



slate



lava

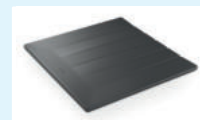


white matt

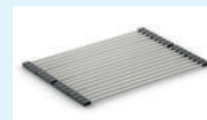


white gloss

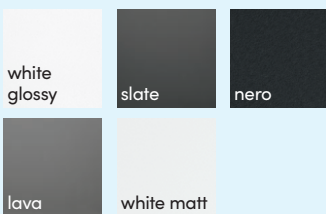
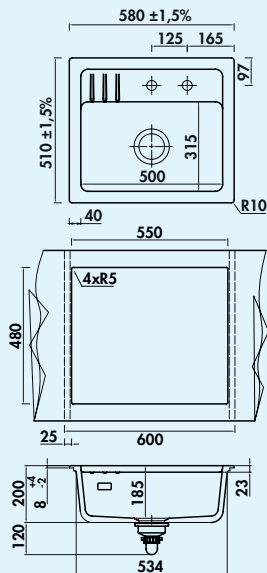
### Functional accessories



Filso draining mat  
silicone



Filo draining rack  
stainless steel



### Silqua E



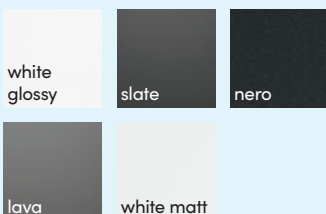
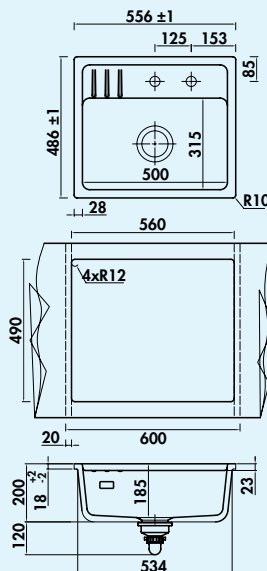
Built-in sink. Ceramic, single bowl with draining surface, 3½" basket strainer valve flush with premium rotational excenter fitting, chromed, drill hole 1 + 2 drilled through.

- suitable for worktop thicknesses from 30 mm
- cut-out approx. 550 x 480 mm, R 5 mm

5 years manufacturer's warranty (except on wearing parts)

Design by Hans Winkler Design, Grafenau.

1091061	white glossy	€ 951.18
1091062	slate	€ 951.18
1091063	nero	€ 951.18
1091064	lava	€ 951.18
1091065	white matt	€ 951.18



### Silqua F



Built-in sink for flush mounting. Ceramic, single bowl with small draining surface, 3½" basket strainer valve flush with premium rotational excenter fitting, chromed, drill hole 1 + 2 drilled through.

- suitable for worktop thicknesses from 30 mm
- requires beading all round or a support bar (beading depth 23 mm, beading width 7 mm)
- cutout dimensions approx. 560 x 490 mm, R 12 mm
- apply a chamfer of 2 mm at 45° to the upper edge of the cutout

5 years manufacturer's warranty (except on wearing parts)

Design by Hans Winkler Design, Grafenau.

1091066	white glossy	€ 1,033.32
1091067	slate	€ 1,033.32
1091068	nero	€ 1,033.32
1091069	lava	€ 1,033.32
1091070	white matt	€ 1,033.32

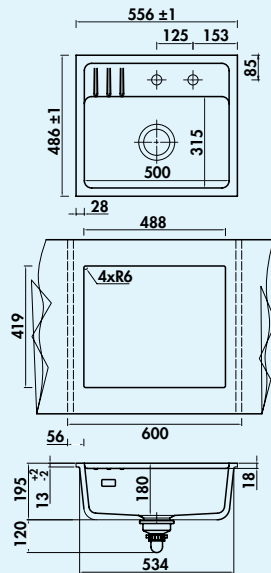
white  
glossy

slate

nero

lava

white matt



## Silqua U



Sub-structure sink. Ceramic, single bowl with small draining surface, 3½" basket strainer valve flush with premium rotational excenter fitting, chromed, drill hole 1 + 2 drilled through.

- suitable for worktop thicknesses from 30 mm
- cut-out approx. 488 x 419 mm, R 6 mm
- with fasteningmaterial

**5 years manufacturer's warranty (except on wearing parts)**

**Design by Hans Winkler Design, Grafenau.**

1091071	white glossy	€ 1,171.68
1091072	slate	€ 1,171.68
1091073	nero	€ 1,171.68
1091074	lava	€ 1,171.68
1091075	white matt	€ 1,171.68

# NABER-CONTURA®

## Ceramics

### PickUP + LineUP – High-grade ceramics when the highest quality is needed

**Naber's new PickUP + LineUP** ranges of ceramic sinks win every respect. The high-quality fine stoneware is elaborately manufactured with selected craftsmanship. Each product is carefully cast, polished, glazed, fired, ground and then thoroughly inspected.

As a result, the product is particularly resistant and safe to withstand extreme demands.

**PickUP + LineUP** ceramic kitchen sinks are incredibly resistant! The sinks are particularly easy and problem-free to clean, they are completely odourless and tasteless. Due to their high scratch resistance, the sinks can even be used as a cutting surface. **PickUP + LineUP** sinks are impact-resistant and resistant to cold, heat and

acids. Not even colour-intensive food or household chemicals leave any traces!

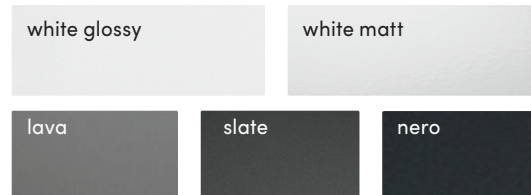
Five different installation types, four colours and an attractive range of shapes create variety. In our own sample book, the choice of colours is haptically and impressively documented.

**Naber PickUP + LineUP** ceramic sinks can be integrated into kitchens of any style and quickly become a valuable, practical and aesthetic eye-catcher.

Sample book  
Order no. 1090007



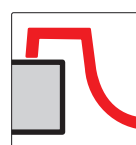
#### Colours



#### Extended warranty

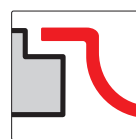
Due to their extraordinary insensitivity and excellent quality of use, we give a **5-year warranty** against manufacturing defects on the luxury ceramic sinks PickUP + LineUP.

#### Installation types



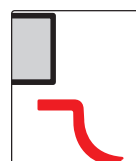
##### Installation from above

Sinks with classic profiled outer edge for versatile daily applications. Quick and easy installation in all types of worktops.



##### Flush mounting

The flush-mounted installation combines sink and worktop in an elegant combination and offers the highest level of comfort.



##### Sinks for substructure

Continuous closed worktops with traditionally undermounted basins accentuate the material of the worktop and offer comfort without disturbing edges.

## INFO BROCHURE

[naber.com/en/downloads/](http://naber.com/en/downloads/)

### PickUP

Best ceramic, smart design – remarkably practical in daily use





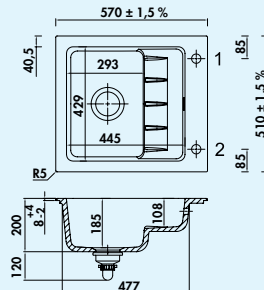
### PickUp E

With increasing awareness of a resource-friendly use of water, smart sink concepts such as PickUP E are coming to the fore. High-quality ceramic and a ledge integrated into the bowl make this single bowl sink so unique. You don't always need a full sink to wash up a few glasses, cups and cutlery items and then drain them on the lower second level – which is also a practical place to put scrubbed vegetables, peelings and cuttings. Even the washing of a baking tray is part of the creative solution of a single bowl geometry for the economical routine of everyday washing up. Available in five colour variants, PickUP E can be integrated into any modern furnishing concept as a built-in sink.

We recommend using a faucet with pull-out spout or shower head.

**5 years manufacturer's warranty (except on wearing parts)**

**Design by Hans Winkler Design, Grafenau.**



Artikel-Nr. 1091038



white  
glossy

slate

nero

lava

white matt

### PickUP E



Built-in sink. Ceramic, single bowl with second level, reversible, 3½" basket strainer valve flush with premium rotational excenter fitting, chromed, drill hole 1+2 drilled through.

- suitable for worktop thicknesses from 30 mm
- cut-out approx. 540 x 480 mm, R 5 mm

1091001	white glossy	€ 965.45
1091002	slate	€ 965.45
1091003	nero	€ 965.45
1091004	lava	€ 965.45
1091005	white matt	€ 965.45

#### Optional accessories

1091038	Bowl insert, stainless steel	€ 188.70
1091039	Chopping board made of bamboo, oiled	€ 174.66



### PickUP F

As a flush mounting variant, PickUP F is based on the trend towards edgeless integration into the worktop. The optical component not only upgrades the sink area stylistically, it is also easier to clean - a thoroughly important comfort aspect for kitchen planning. PickUP F also offers the choice between five colours, giving you the opportunity to set further individual accents.

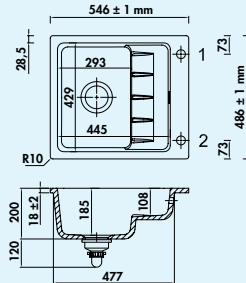
We recommend using a faucet with pull-out spout or shower head.

**Sink with milled outer edge for flush mounting. Worktop thickness min. 30 mm.**

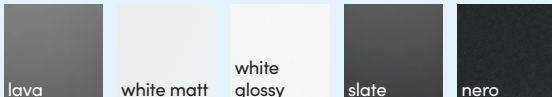
**Attention: In the cutout, a chamfer of 2 mm x 45° has to be applied to the upper edge!**

**5 years manufacturer's warranty (except on wearing parts)**

**Design by Hans Winkler Design, Grafenau.**



Artikel-Nr. 1091038



### PickUP F



Built-in sink for flush mounting. Ceramic, single bowl with second level, reversible, 3 1/2" basket strainer valve flush with premium rotational excenter fitting, chromed, drill hole 1 + 2 drilled through.

- suitable for worktop thicknesses from 30 mm
- requires beading all round or a support bar (beading depth 25 mm, beading width 8 mm)
- cutout dimensions approx. 550 x 490 mm, R 12 mm

1091014	lava	€ 1,048.82
1091015	white matt	€ 1,048.82
1091011	white glossy	€ 1,048.82
1091012	slate	€ 1,048.82
1091013	nero	€ 1,048.82

#### Optional accessories

1091038	Bowl insert, stainless steel	€ 188.70
1091039	Chopping board made of bamboo, oiled	€ 174.66



### PickUP U

Designed for rimless substructure mounting, the sink contour of the PickUP U directly adjoins the worktop cut-out. Pure aesthetics, which convey a more generous effect of the dishwashing area and the environment in a purist elegant way. It is particularly appreciated by planners when combined with stone, concrete and ceramic worktops. The trendy five-colour concept of the PickUP U offers versatile design options.

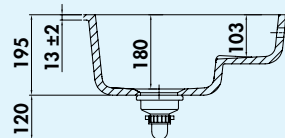
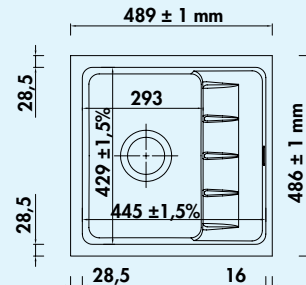
We recommend using a faucet with pull-out spout or shower head.

**Sink with milled outer edge for sub-structure mounting. Worktop thickness min. 30 mm. If the sub-structure sink is glued, thinner worktops can be used.**

**Due to the tolerance, we recommend that you make the cutout based on the supplied bowl.**

**5 years manufacturer's warranty (except on wearing parts)**

**Design by Hans Winkler Design, Grafenau.**



white  
glossy

slate

nero

lava

white matt

### PickUP U



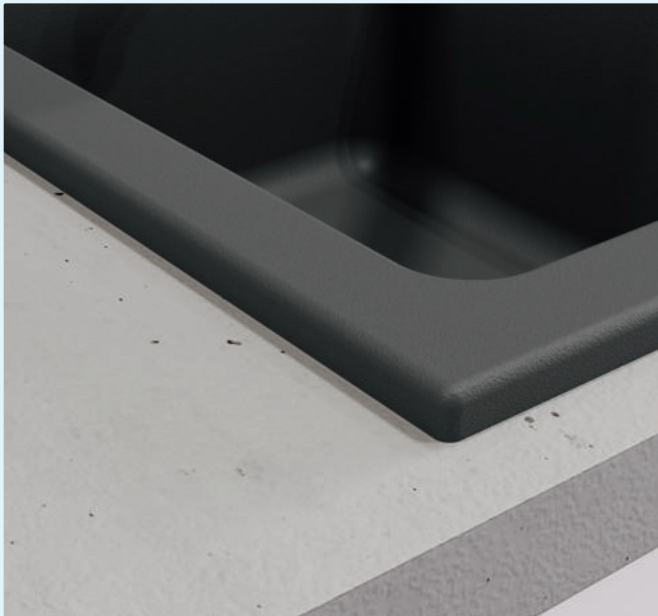
Substructure sink. Ceramic, single bowl with second level, reversible, 3½" basket strainer valve flush with premium rotational excenter fitting, chromed, **without** drill hole.

- suitable for worktop thicknesses from 30 mm
- cutout dimensions approx. 433 x 417 mm, R 19 mm
- no tap hole bank: provide holes for faucet and excenter in the worktop
- incl. mounting material

1091021	white glossy	€ 1,189.26
1091022	slate	€ 1,189.26
1091023	nero	€ 1,189.26
1091024	lava	€ 1,189.26
1091025	white matt	€ 1,189.26

### Recommendations

5011252	Arco 2, chrome, high pressure	€ 240.74
---------	-------------------------------	----------

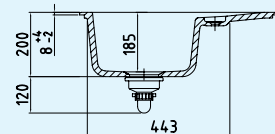
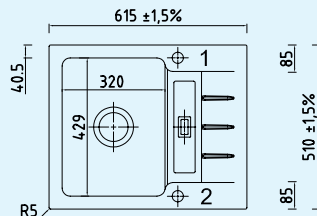


### LineUP 2E

High-quality ceramic built-in sink in a contemporary look. A deep bowl as well as a small, slightly inclined integrated draining surface with practical drip tray determine the clear design language of the new model series. Cleverly designed, with its continuous material thickness, the edge-mounted sink widens in the area of the tap ledge. Plannable in reverse and available in five colour variants, LineUP 2E meets all the requirements for furnishing and equipping smaller wash stations.

**5 years manufacturer's warranty (except on wearing parts)**

**Design by Hans Winkler Design, Grafenau.**



Order no. 1091038



white glossy

slate

nero

lava

white matt

### LineUP 2E



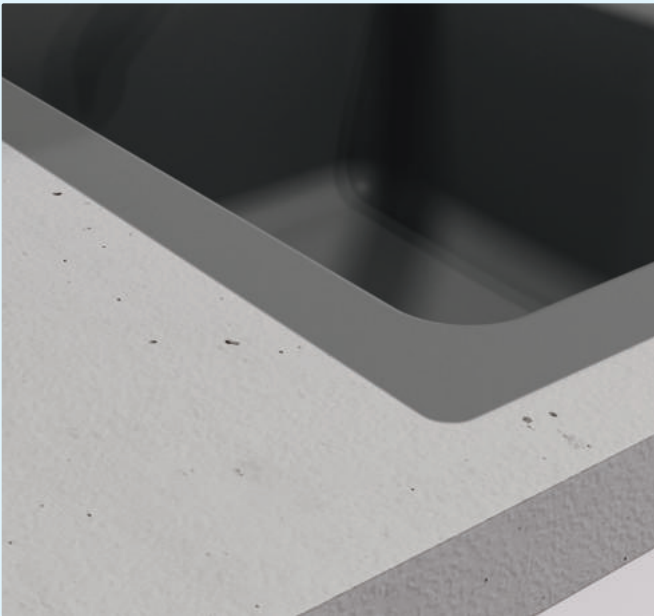
Built-in sink. Ceramic, single bowl with small draining surface, reversible, 3½" basket strainer valve flush with premium rotational excenter fitting, chromed, drill hole 1 + 2 drilled through.

- suitable for worktop thicknesses from 30 mm
- cut-out approx. 585 x 480 mm, R 5 mm

1091041	white glossy	€ 935.61
1091042	slate	€ 935.61
1091043	nero	€ 935.61
1091044	lava	€ 935.61
1091045	white matt	€ 935.61

### Optional accessories

1091038	Bowl insert, stainless steel	€ 188.70
1091039	Chopping board made of bamboo, oiled	€ 174.66



### LineUP 2F

With the flush mounting solution, LineUP 2F relies on the practical and aesthetic advantages of rimless mounting.

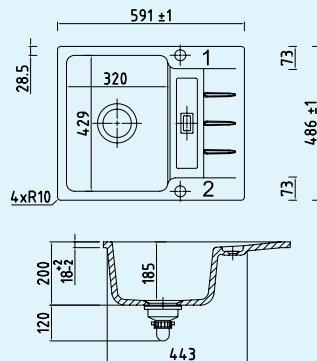
A deep bowl as well as a small, slightly inclined integrated draining surface with practical drip tray determine the clear design language of the new model series. Plannable in reverse and available in five colour variants, as a convenient functional solution, LineUP 2F meets all the requirements for furnishing and equipping smaller wash stations.

**Sink with milled outer rim for flush installation. Worktop thickness min. 30 mm.**

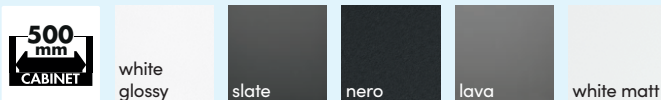
**Attention: In the cutout, a bevel of 2 mm x 45° must be applied to the upper edge!**

**5 years manufacturer's warranty (except on wearing parts)**

**Design by Hans Winkler Design, Grafenau.**



Order no. 1091038



### LineUP 2F



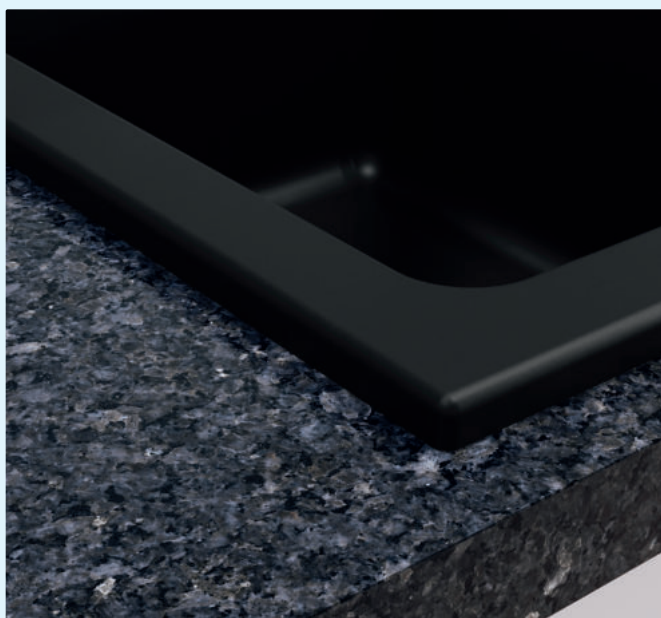
Built-in sink for flush mounting. Ceramic, single bowl with small draining surface, reversible, 3½" basket strainer valve flush with premium rotational excenter fitting, chromed, drill hole 1 + 2 drilled through.

- suitable for worktop thicknesses from 30 mm
- requires beading all round or a support bar (beading depth 25 mm, beading width 8 mm)
- cutout dimensions approx. 595 x 490 mm, R 12 mm

1091046	white glossy	€ 1,026.88
1091047	slate	€ 1,026.88
1091048	nero	€ 1,026.88
1091049	lava	€ 1,026.88
1091050	white matt	€ 1,026.88

#### Optional accessories

1091038	Bowl insert, stainless steel	€ 188.70
1091039	Chopping board made of bamboo, oiled	€ 174.66

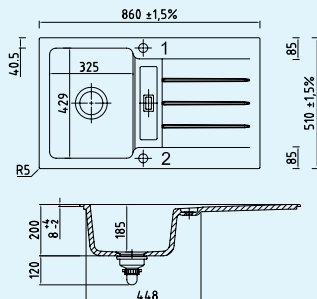


### LineUP 1E

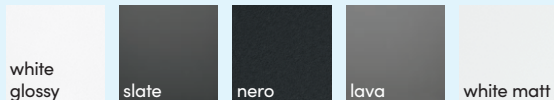
The surface-mounted built-in model variant offers more space for depositing dishes and pots and for preparation work. Plannable in reverse and available in five colour variants, as a functional solution with added convenience, LineUP 1E meets all the requirements for furnishing and equipping smaller wash stations.

**5 years manufacturer's warranty (except on wearing parts)**

**Design by Hans Winkler Design, Grafenau.**



Order no. 1091038



### LineUP 1E



Built-in sink. Ceramic, single bowl with draining surface, reversible, 3½" basket strainer valve flush with premium rotational excenter fitting, chromed, drill hole 1 + 2 drilled through.

- suitable for worktop thicknesses from 30 mm
- cut-out approx. 830 x 480 mm, R 5 mm

1091051	white glossy	€ 1,092.71
1091052	slate	€ 1,092.71
1091053	nero	€ 1,092.71
1091054	lava	€ 1,092.71
1091055	white matt	€ 1,092.71

#### Optional accessories

1091038	Bowl insert, stainless steel	€ 188.70
1091039	Chopping board made of bamboo, oiled	€ 174.66



### LineUP 1F

The flush built-in model variant offers more space for depositing dishes and pots and for preparation work. Plannable in reverse and available in five colour variants, as a functional solution with added convenience, LineUP 1F meets all the requirements for furnishing and equipping smaller wash stations.

**Sink with milled outer rim for flush installation. Worktop thickness min. 30 mm.**

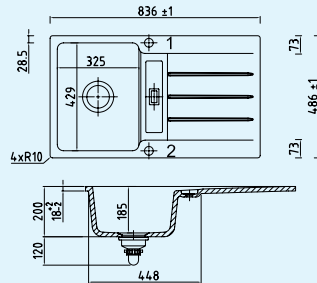
**Attention: In the cutout, a bevel of 2 mm x 45° must be applied to the upper edge!**

**5 years manufacturer's warranty (except on wearing parts)**

**Design by Hans Winkler Design, Grafenau.**



Order no. 1091038



white  
glossy

slate

nero

lava

white matt

### LineUP 1F



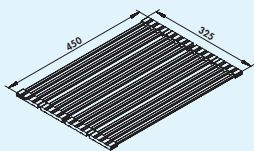
Built-in sink for flush mounting. Ceramic, single bowl with draining surface, reversible, 3½" basket strainer valve flush with premium rotational excenter fitting, chromed, drill hole 1 + 2 drilled through.

- suitable for worktop thicknesses from 30 mm
- requires beading all round or a support bar (beading depth 25 mm, beading width 8 mm)
- cutout dimensions approx. 840 x 490 mm, R 12 mm

1091056	white glossy	€ 1,198.02
1091057	slate	€ 1,198.02
1091058	nero	€ 1,198.02
1091059	lava	€ 1,198.02
1091060	white matt	€ 1,198.02

#### Optional accessories

1091038	Bowl insert, stainless steel	€ 188.70
1091039	Chopping board made of bamboo, oiled	€ 174.66



## Filo dish drainer

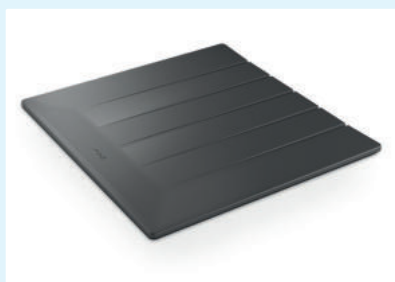


Folding mat. Foldable. Hollow stainless-steel rods ground, black silicone holder, food safe.

- foldable in segments
- stainless steel/silicone
- flat hollow rods in contoured silicone strips
- non-slip
- suitable for draining board or worktop
- 325 x 450 mm (W x D)

1013041 stainless steel

€ 66.35



## Filso drip mat

Drip mat made of silicone. Suitable for sub-structure and flush mounted sinks.

- food safe
- dishwasher safe
- temperature resistance -40 to 230 °C
- not suitable for cutting
- no folding
- 415 x 390 mm (W x D)

1013058 anthracite

€ 110.58



## Cover cap drain cover



1091030	stainless steel glossy	€ 34.23
1091031	brushed stainless steel	€ 36.42
1091032	ceramic, white glossy	€ 75.04
1091033	ceramic, slate	€ 75.04
1091034	ceramic, nero	€ 75.04
1091035	ceramic, lava	€ 75.04
1091040	ceramic, white matt	€ 75.04



## Premium rotational excenter



For PickUP/LineUP sinks.

**We recommend the stainless steel premium rotational excenter for a stainless steel or stainless steel coloured faucet.**

1091027	nero	€ 66.71
1091036	chrome	€ 57.04
1091037	stainless steel	€ 66.71



## Bowl insert



Bowl insert, stainless steel.

- 130 x 410 mm (W x D)

1091038 stainless steel

€ 188.70



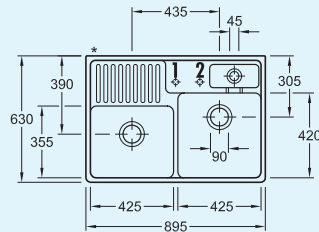
## Chopping board made of bamboo

Chopping board made of bamboo, oiled.

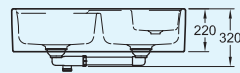
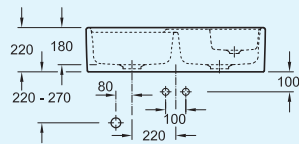
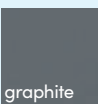
- 300 x 460 mm (W x D)

1091039 oiled

€ 174.66



Order no. 1094063



### Butler sink double bowl

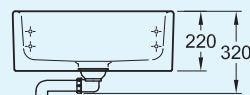
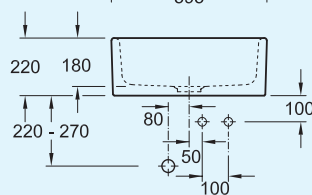
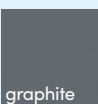
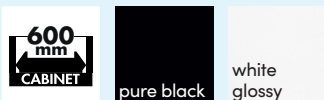
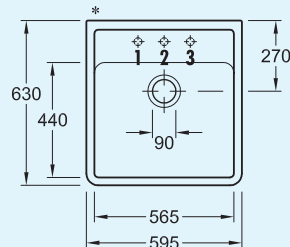


- Butler sink, ceramic. Double bowl incl. half bowl, crystal clear. 3½" basket strainer valve flush, rotational excenter fitting, chrome-plated, turning knob stainless steel coloured and attachment set for installation on a floor cabinet.
- the back of the sink is unglazed and provided with two mounting holes
  - sink is delivered with 2 drill holes (1 + 2)
  - **Please state if no drill hole is required.**
  - **with half bowl insert**

1094079	pure black	€ 1,727.27
1094051	white glossy	€ 1,685.14
1094067	graphite	€ 1,685.14

#### Optional accessories

1094063	Wire basket, stainless steel	€ 184.31
1094064	Attachment set for wall mount, set	€ 193.08



### Butler sink single bowl



- Butler sink, ceramic. Single bowl. 3½" basket strainer valve flush, rotational excenter fitting, chrome-plated, turning knob stainless steel coloured, attachment set for installation on a floor cabinet.
- rear of sink is unglazed
  - sink is delivered with 2 drill holes (1 + 2)
  - **Please state if different drill hole (1, 2 or 3) or none is required.**

1094077	pure black	€ 1,002.30
1094020	white glossy	€ 975.97
1094069	graphite	€ 975.97

#### Optional accessories

1094064	Attachment set for wall mount, set	€ 193.08
---------	------------------------------------	----------



# NABER-CONTURA®

## Ceramics



Lavara/Patera –  
counter-top basins for stylish living

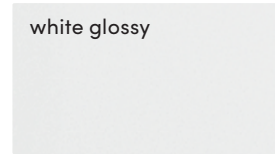


**Lavara** and **Patera** give nothing but pleasure! The counter-top basins made of high-quality porcelain stoneware are timelessly beautiful in form and of superior ceramic quality. They are therefore among the selected details of a well-kept living atmosphere.

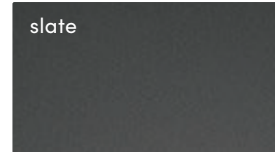
Modern colour variations ensure a seamless connection with all upmarket interiors. Whether round or square – together with the precisely matching, perfectly shaped faucet, an ensemble is created that adds unobtrusive elegance to its surroundings.

### Colours

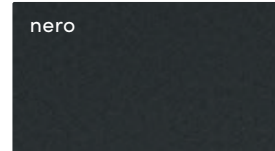
white glossy

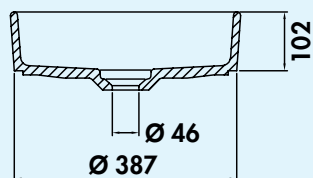
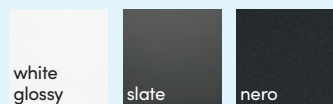
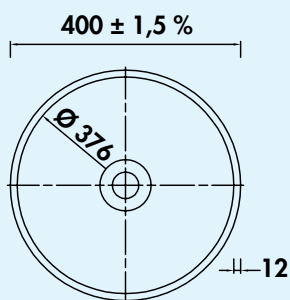


slate



nero





### Patera 40

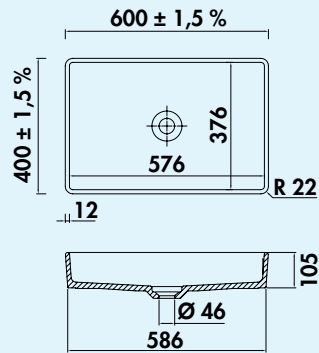
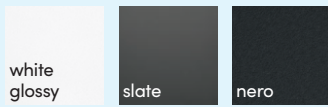
Top mounted washbasin round. Ceramics.

- incl. drain with ceramic cover
- cut-out approx. Ø 357 mm
- bowl can not be closed

Matching bathroom faucets can be found in catalogue 1 page 121–126/26 EN.

Matching odour traps can be found in catalogue 2 Page 114/26 EN.

1091100	white glossy	€ 930.34
1091101	slate	€ 1,013.72
1091102	nero	€ 1,013.72



### Lavara 60

Top mounted washbasin angular. Ceramics.

- incl. drain with ceramic cover
- cut-out approx. 555 x 355 mm
- bowl can not be closed

Matching bathroom faucets can be found in catalogue 1 page 121–126/26 EN.

Matching odour traps can be found in catalogue 2 Page 114/26 EN.

1091110	white glossy	€ 1,148.01
1091111	slate	€ 1,294.58
1091112	nero	€ 1,294.58

# Composite NABER-CONTURA®

Cin NAGRANIT –  
seduction for the senses



Silqua 570	Page 51
Vellano 410	Page 51
Vellano 470	Page 52
Vellano 570	Page 52
Vellano 790	Page 52
Fontea 650	Page 53
Fontea 860	Page 53
Fontea 1000	Page 53
Fiola 540	Page 54
Angola 100	Page 56
Angola 100 L	Page 57
Angola 150	Page 59
Corto 615	Page 61
Corto 780	Page 63
Angola 40	Page 64
Angola 56	Page 66
Singoli 600	Page 67
Drip tray made of stainless steel	Page 69
Filo dish drainer	Page 69
Filso drip mat	Page 69
Spare parts	Page 69–70

# NABER-CONTURA® SILQUA composite



Flowing lines, sophisticated details, sink pure!

Made of high-quality ceramic for maximum quality and lasting brilliant beauty! SILQUA is cleverly designed. Soft radii inspired by flowing water reduce the cleaning work and the risk of impact damage.

The faucet is placed on a faucet ledge integrated into the sink. This means that your hands stay inside when using the faucet, so water can drip into the sink instead of having to be wiped away outside. Glasses or cups can dry on the embossed drainage grooves of the faucet ledge.

Developed in collaboration with  
Hans Winkler Design, Grafenau

Sample book  
Order no. 1100032



Optional cover cap for the  
sink drain



black



Further information  
about SILQUA in the  
online magazine →



Product overview  
of all NABER-CONTURA®  
premium sinks →



## Perfectly integrated



**Surface-mounted**  
With a classic profiled  
outer edge for versatile  
daily use.

## Trend colours for every setting



colour: nero  
ossidiana



terra di  
Agata

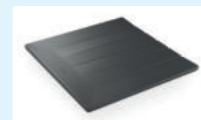


grigio  
tormalina

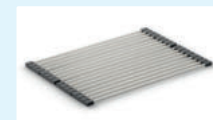


bianco  
howlite

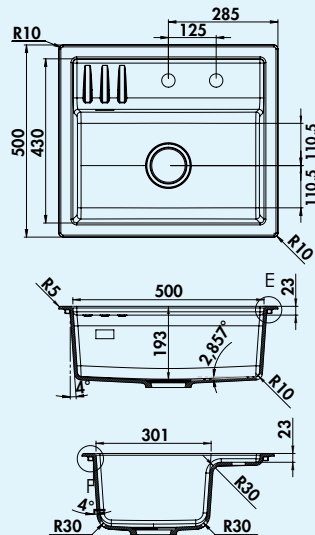
## Functional accessories



Filso draining mat  
silicone



Filo draining rack  
stainless steel



600 mm  
CABINET

granite  
nero  
ossidiana

granite  
bianco  
howlite

granite  
terra di  
agata

granite  
grigio  
tormalina

## Silqua 570



Built-in sink. Composite, with draining surface. 3½" basket strainer valve flush with push button eccentric set, stainless steel.

- both sides drilled through
- suitable for worktop thicknesses from 25 mm to 45 mm
- cut-out dimensions ca. 556 x 486 mm
- can also be used in combination with hot water fittings (+/-95 °C)

Design by Hans Winkler Design, Grafenau.

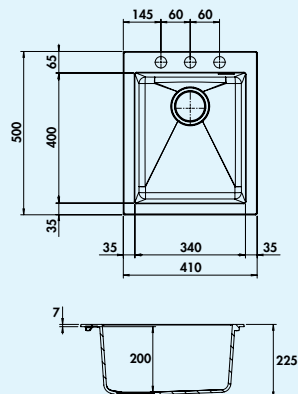
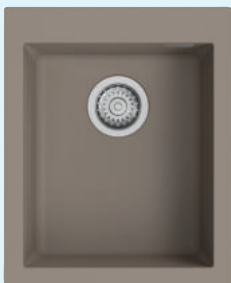
1106274	granite nero ossidiana	€ 462.18
1106275	granite bianco howlite	€ 462.18
1106276	granite terra di agata	€ 462.18
1106277	granite grigio tormalina	€ 462.18

### Optional accessories

1106190	Push button eccentric set, 3½" basket strainer valve flush, for single bowl, black	€ 78.15
1106191	Cover cap drain cover, black	€ 22.94

### Spare parts

1106193	Push button eccentric set, 3½" basket strainer valve flush, for single bowl, stainless steel	€ 73.53
---------	--	---------



450 mm  
CABINET

granite  
nero  
ossidiana

granite  
bianco  
howlite

granite  
terra di  
agata

granite  
grigio  
tormalina

## Vellano 410



Built-in sink. Composite, single bowl. 3½" basket strainer valve flush with push button eccentric set, stainless steel. 3 pre-drilled holes, **drill holes must be completed during assembly.**

- suitable for worktop thicknesses from 25 mm to 40 mm
- cut-out dimensions ca. 390 x 485 mm (built-in sink)
- can also be used in combination with hot water fittings (+/-100 °C)

Colour samples see catalogue 1 pages 46/26 EN.

1106210	granite nero ossidiana	€ 335.97
1106211	granite bianco howlite	€ 335.97
1106212	granite terra di agata	€ 335.97
1106213	granite grigio tormalina	€ 335.97

### Optional accessories

1106190	Push button eccentric set, 3½" basket strainer valve flush, for single bowl, black	€ 78.15
1106191	Cover cap drain cover, black	€ 22.94

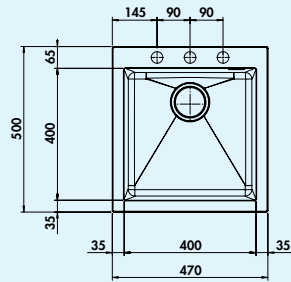
### Spare parts

1106193	Push button eccentric set, 3½" basket strainer valve flush, for single bowl, stainless steel	€ 73.53
---------	--	---------

# NABER-CONTURA® Composite

Order no. Description

per piece excl. VAT

500 mm  
CABINETgranite  
nero  
ossidianagranite  
bianco  
howlitegranite  
terra di  
agatagranite  
grigio  
tormalina

## Vellano 470



Built-in sink. Composite, single bowl. 3½" basket strainer valve flush with push button eccentric set, stainless steel. 3 pre-drilled holes, **drill holes must be completed during assembly.**

- suitable for worktop thicknesses from 25 mm to 40
- cut-out dimensions ca. 450 x 485 mm (built-in sink)
- can also be used in combination with hot water fittings (+/-95 °C)

Colour samples see catalogue 1 pages 46/26 EN.

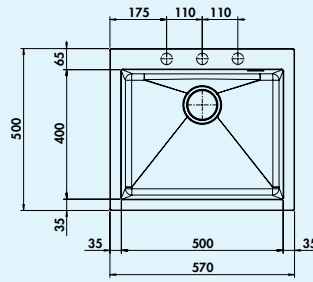
1106220	granite nero ossidiana	€ 349.16
1106221	granite bianco howlite	€ 349.16
1106222	granite terra di agata	€ 349.16
1106223	granite grigio tormalina	€ 349.16

### Optional accessories

1106190	Push button eccentric set, 3½" basket strainer valve flush, for single bowl, black	€ 78.15
1106191	Cover cap drain cover, black	€ 22.94

### Spare parts

1106193	Push button eccentric set, 3½" basket strainer valve flush, for single bowl, stainless steel	€ 73.53
---------	--	---------

600 mm  
CABINETgranite  
nero  
ossidianagranite  
bianco  
howlitegranite  
terra di  
agatagranite  
grigio  
tormalina

## Vellano 570



Built-in sink. Composite, single bowl. 3½" basket strainer valve flush with push button eccentric set, stainless steel. 3 pre-drilled holes, **drill holes must be completed during assembly.**

- suitable for worktop thicknesses from 25 mm to 45 mm
- cut-out dimensions ca. 550 x 485 mm (built-in sink)
- can also be used in combination with hot water fittings (+/-95 °C)

Colour samples see catalogue 1 pages 46/26 EN.

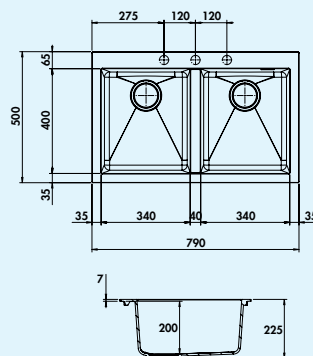
1106230	granite nero ossidiana	€ 377.06
1106231	granite bianco howlite	€ 377.06
1106232	granite terra di agata	€ 377.06
1106233	granite grigio tormalina	€ 377.06

### Optional accessories

1106190	Push button eccentric set, 3½" basket strainer valve flush, for single bowl, black	€ 78.15
1106191	Cover cap drain cover, black	€ 22.94

### Spare parts

1106193	Push button eccentric set, 3½" basket strainer valve flush, for single bowl, stainless steel	€ 73.53
---------	--	---------

800 mm  
LARGUEUR D'ARMOIREgranite  
nero  
ossidianagranite  
bianco  
howlitegranite  
terra di  
agatagranite  
grigio  
tormalina

## Vellano 790



Built-in sink. Composite, double bowl. 3½" basket strainer valve flush, 1 bowl with push button eccentric set, stainless steel and 1 bowl with manual operation. 3 pre-drilled holes, **drill holes must be completed during assembly.**

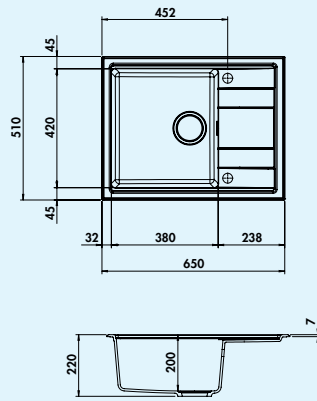
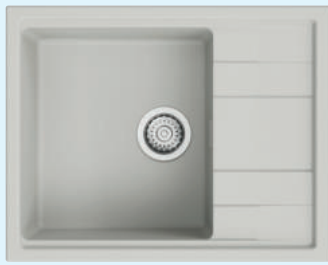
- suitable for worktop thicknesses from 25 mm to 40 mm
- cut-out dimensions ca. 770 x 485 mm (built-in sink)
- can also be used in combination with hot water fittings (+/-95 °C)

Colour samples see catalogue 1 pages 46/26 EN.

1106240	granite nero ossidiana	€ 432.77
1106241	granite bianco howlite	€ 432.77
1106242	granite terra di agata	€ 432.77
1106243	granite grigio tormalina	€ 432.77

### Spare parts

1106192	Push button eccentric set, 3½" basket strainer valve flush, for double bowl, stainless steel	€ 90.76
---------	--	---------



## Fontea 650



Built-in sink. Composite, with draining surface, reversible. 3½" basket strainer valve flush with push button eccentric set, stainless steel.

- both sides drilled through
- suitable for worktop thicknesses from 25 mm to 40 mm
- cut-out dimensions ca. 630 x 480 mm
- can also be used in combination with hot water fittings (+/-95 °C)

Colour samples see catalogue 1 pages 46/26 EN.

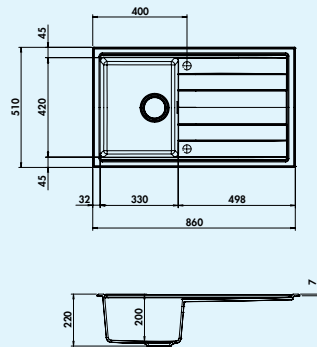
1106250	granite nero ossidiana	€ 368.91
1106251	granite bianco howlite	€ 368.91
1106252	granite terra di agata	€ 368.91
1106253	granite grigio tormalina	€ 368.91

### Optional accessories

1106190	Push button eccentric set, 3½" basket strainer valve flush, for single bowl, black	€ 78.15
1106191	Cover cap drain cover, black	€ 22.94

### Spare parts

1106193	Push button eccentric set, 3½" basket strainer valve flush, for single bowl, stainless steel	€ 73.53
---------	--	---------



## Fontea 860



Built-in sink. Composite, with draining surface, reversible. 3½" basket strainer valve flush with push button eccentric set, stainless steel.

- both sides drilled through
- suitable for worktop thicknesses from 25 mm to 45 mm
- cut-out dimensions ca. 840 x 480 mm
- can also be used in combination with hot water fittings (+/-95 °C)

Colour samples see catalogue 1 pages 46/26 EN.

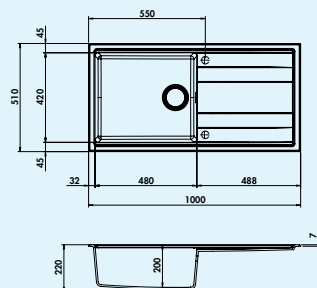
1106260	granite nero ossidiana	€ 373.03
1106261	granite bianco howlite	€ 373.03
1106262	granite terra di agata	€ 373.03
1106263	granite grigio tormalina	€ 373.03

### Optional accessories

1106190	Push button eccentric set, 3½" basket strainer valve flush, for single bowl, black	€ 78.15
1106191	Cover cap drain cover, black	€ 22.94

### Spare parts

1106193	Push button eccentric set, 3½" basket strainer valve flush, for single bowl, stainless steel	€ 73.53
---------	--	---------



## Fontea 1000



Built-in sink. Composite, with draining surface, reversible. 3½" basket strainer valve flush with push button eccentric set, stainless steel.

- both sides drilled through
- suitable for worktop thicknesses from 25 mm to 45 mm
- cut-out dimensions ca. 980 x 480 mm
- can also be used in combination with hot water fittings (+/-95 °C)

Colour samples see catalogue 1 pages 46/26 EN.

1106270	granite nero ossidiana	€ 398.99
1106271	granite bianco howlite	€ 398.99
1106272	granite terra di agata	€ 398.99
1106273	granite grigio tormalina	€ 398.99

### Optional accessories

1106190	Push button eccentric set, 3½" basket strainer valve flush, for single bowl, black	€ 78.15
1106191	Cover cap drain cover, black	€ 22.94

### Spare parts

1106193	Push button eccentric set, 3½" basket strainer valve flush, for single bowl, stainless steel	€ 73.53
---------	--	---------

# NABER-CONTURA® Composite

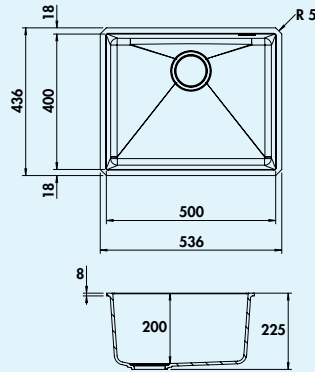
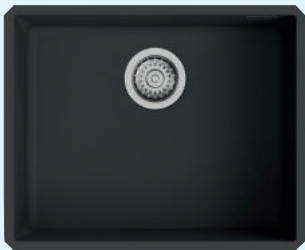
Order no. Description

per piece excl. VAT



## Fiola 540

Fiola 540 combines the advantages of a substructure sink with those of composite material. Its beauty does not compete with the worktop, but is entirely focused on its function. With its carefully selected colour options, it enables exciting contrasts as well as harmonious colour concepts. Fiola 540 is absolutely hard-wearing with long-lasting colour brilliance. The edgeless substructure makes it particularly easy to clean.



600 mm  
CABINET

granite  
nero  
ossidiana

granite  
bianco  
howlite

granite  
terra di  
agata

granite  
grigio  
tormalina

## Fiola 540

Sub-structure sink. Composite, single bowl. 3½" basket strainer valve flush with push button eccentric set, stainless steel.

- suitable for worktop thicknesses from 25 mm to 40 mm
- **eccentric handle drilling dimension Ø 35 mm**
- cut-out dimensions ca. 495 x 395 mm, R 5 mm
- can also be used in combination with hot water fittings (+/-95 °C)

Colour samples see catalogue 1 pages 46/26 EN.

1106200	granite nero ossidiana	€ 390.76
1106201	granite bianco howlite	€ 390.76
1106202	granite terra di agata	€ 390.76
1106203	granite grigio tormalina	€ 390.76

### Optional accessories

1106190	Push button eccentric set, 3½" basket strainer valve flush, for single bowl, black	€ 78.15
1106191	Cover cap drain cover, black	€ 22.94

### Spare parts

1106193	Push button eccentric set, 3½" basket strainer valve flush, for single bowl, stainless steel	€ 73.53
---------	--	---------



## Push button eccentric set

- 3½" basket strainer valve flush
- plastic

1106190	3½" basket strainer valve flush, for single bowl, black	€ 78.15
---------	---	---------



## Cover cap drain cover

- plastic

1106191	black	€ 22.94
---------	-------	---------

# NABER-CONTURA®

## Composite



### Cin Nagranit – seduction for the senses

Cin-Nagranit sinks are an excellent choice in which sensory attractiveness and rational aspects are perfectly harmonised. So the decision for the composite material of the sinks is only logical: it has advantages, the combination of which can hardly be achieved by other materials.

First and foremost is the outstanding resilience. Cin-Nagranit sinks are inspired by nature and are made with a high component of quartz stone using state of the art technology. Cin-Nagranit is water, scratch and stain-resistant, non-swelling, easy to clean, food safe and extremely durable. Even after many years of use, Cin-Nagranit retains its distinct colour intensity and beauty.

In addition, Cin-Nagranit sinks lure with the seductive Touch-feel of an incomparably smooth surface and a varied range of colours and shapes. The best impression of this is conveyed by the Cin-Nagranit sample case. Emotionally strong tactile and visual

stimuli impressively enable you to experience the sink surface, which is both robust and velvety, and simply invites you to touch it.

Sharp-contoured lines and unobtrusively elegant granite colours support the creative adaptation of the Cin-Nagranit sinks to all styles of kitchen. To make diverse personal design wishes possible, Cin-Nagranit sinks are also optionally available with matching faucets. It is only natural that we also pay attention to the highest quality! The design and unsurpassed functionality of the faucet and sink thus convey an evident characteristic of outstanding kitchen architecture.

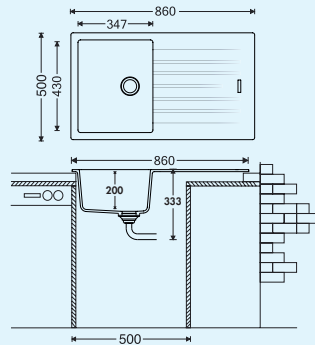
NABER-CONTURA® composite sinks are tested according to the European standard BS ES 13310:2015 and can easily be used in combination with hot water fittings (+/- 100 °C).

### Colours



Composite sample book  
Order no. 1100028





Order no. 1106051



granite nero

granite espresso

granite metallico

granite magnolia

granite concrete

granite lava

granite nero assoluto

### Angola 100



Built-in sink. Composite, with draining surface, reversible. 3½" basket strainer valve flush with rotational excenter fitting, chrome-plated.

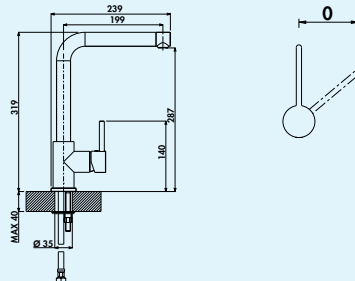
- both sides drilled through
- suitable for worktop thicknesses from 22 mm to 44 mm
- cut-out dimensions ca. 840 x 480 mm
- can also be used in combination with hot water fittings (+/-100 °C)

Colour samples see catalogue 1 pages 55/26 EN.

1106001	granite nero	€ 342.29
1106002	granite espresso	€ 342.29
1106003	granite metallico	€ 342.29
1106005	granite magnolia	€ 342.29
1106006	granite concrete	€ 342.29
1106007	granite lava	€ 342.29
1106008	granite nero assoluto	€ 342.29

#### Optional accessories

1106051	Drip tray made of stainless steel, 466 x 252 mm	€ 127.26
1106280	Replacement set for rotating eccentric fitting, black	€ 39.62



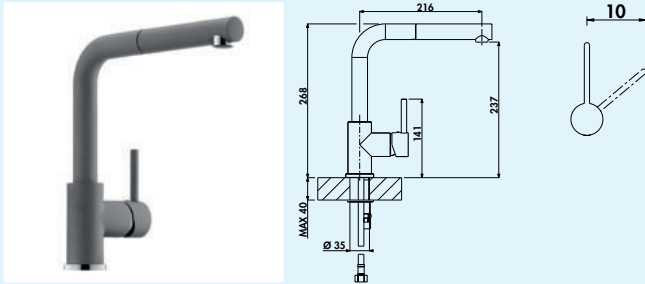
### Gramix 1 high pressure faucet

BELGAQUA

Single lever faucet. With swivelling outlet, side lever and ceramic cartridge with laminar jet regulator.

- swivel range 360°
- drill Ø 35 mm

1100401	granite nero	€ 249.96
1100402	granite espresso	€ 249.96
1100403	granite metallico	€ 249.96
1100405	granite magnolia	€ 249.96
1100406	granite concrete	€ 249.96
1100407	granite lava	€ 249.96
1100408	granite nero assoluto	€ 249.96



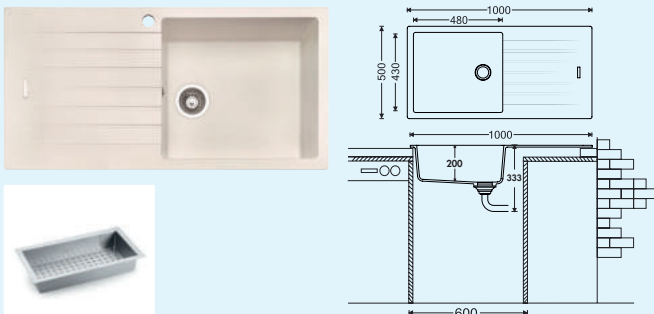
## Gramix 2 high pressure faucet

BELGAQUA

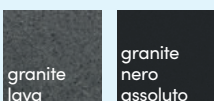
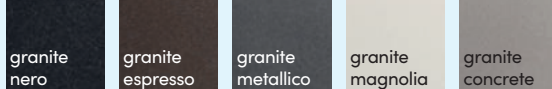
Single lever faucet. With **swivelling/pull-out**, side lever and ceramic cartridge with laminar jet regulator.

- swivel range 360°
- drill Ø 35 mm

1100411	granite nero	€ 290.77
1100412	granite espresso	€ 290.77
1100413	granite metallico	€ 290.77
1100415	granite magnolia	€ 290.77
1100416	granite concrete	€ 290.77
1100417	granite lava	€ 290.77
1100418	granit nero assoluto	€ 290.77



Order no. 1106051



## Angola 100 L



Built-in sink. Composite, with large bowl and draining surface, reversible. 3½" basket strainer valve flush with rotational excenter fitting, chrome plated.

- pre-drilled on both sides
- suitable for worktop thicknesses from 22 mm to 44 mm
- cut-out dimensions ca. 980 x 480 mm
- can also be used in combination with hot water fittings (+/-100 °C)

Colour samples see catalogue 1 pages 55/26 EN.

1106031	granite nero	€ 386.18
1106032	granite espresso	€ 386.18
1106033	granite metallico	€ 386.18
1106035	granite magnolia	€ 386.18
1106036	granite concrete	€ 386.18
1106037	granite lava	€ 386.18
1106038	granite nero assoluto	€ 386.18

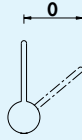
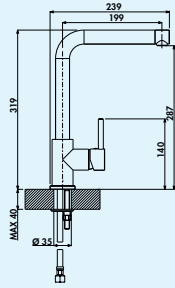
### Optional accessories

1106051	Drip tray made of stainless steel, 466 x 252 mm	€ 127.26
1106280	Replacement set for rotating eccentric fitting, black	€ 39.62

# NABER-CONTURA<sup>®</sup> Composite

Order no. Description

per piece excl. VAT



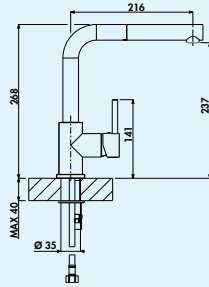
## Gramix 1 high pressure faucet

BELGAQUA

Single lever faucet. With swivelling outlet, side lever and ceramic cartridge with laminar jet regulator.

- swivel range 360°
- drill Ø 35 mm

1100401	granite nero	€ 249.96
1100402	granite espresso	€ 249.96
1100403	granite metallico	€ 249.96
1100405	granite magnolia	€ 249.96
1100406	granite concrete	€ 249.96
1100407	granite lava	€ 249.96
1100408	granit nero assoluto	€ 249.96



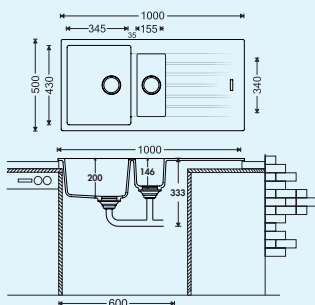
## Gramix 2 high pressure faucet

BELGAQUA

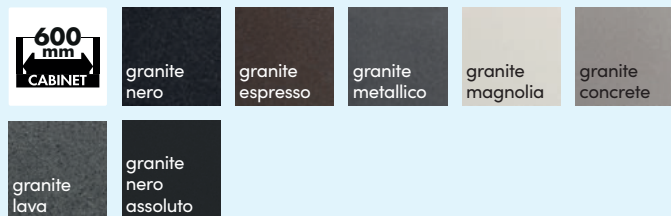
Single lever faucet. With **swivelling/pull-out**, side lever and ceramic cartridge with laminar jet regulator.

- swivel range 360°
- drill Ø 35 mm

1100411	granite nero	€ 290.77
1100412	granite espresso	€ 290.77
1100413	granite metallico	€ 290.77
1100415	granite magnolia	€ 290.77
1100416	granite concrete	€ 290.77
1100417	granite lava	€ 290.77
1100418	granit nero assoluto	€ 290.77



Order no. 1106051



### Angola 150



Built-in sink. Composite, with draining surface and half sink, reversible. 3½" basket strainer valve flush with rotational excenter fitting, chrome-plated. Half sink closeable.

- both sides drilled through
- suitable for worktop thicknesses from 22 mm to 44 mm
- cut-out dimensions ca. 980 x 480 mm
- **without half sink insert**
- can also be used in combination with hot water fittings (+/-100 °C)

Colour samples see catalogue 1 pages 55/26 EN.

1106011	granite nero	€ 394.96
1106012	granite espresso	€ 394.96
1106013	granite metallico	€ 394.96
1106015	granite magnolia	€ 394.96
1106016	granite concrete	€ 394.96
1106017	granite lava	€ 394.96
1106018	granite nero assoluto	€ 394.96

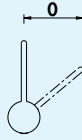
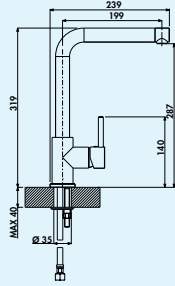
#### Optional accessories

1106051	Drip tray made of stainless steel, 466 x 252 mm	€ 127.26
1106052	Half sink insert, 307 x 167 mm	€ 122.00
1106281	Replacement set for rotating eccentric fitting, black	€ 52.02

# NABER-CONTURA<sup>®</sup> Composite

Order no. Description

per piece excl. VAT



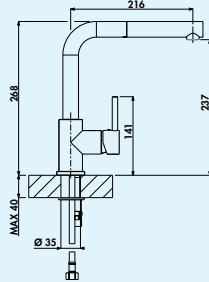
## Gramix 1 high pressure faucet

BELGAQUA

Single lever faucet. With swivelling outlet, side lever and ceramic cartridge with laminar jet regulator.

- swivel range 360°
- drill Ø 35 mm

1100401	granite nero	€ 249.96
1100402	granite espresso	€ 249.96
1100403	granite metallico	€ 249.96
1100405	granite magnolia	€ 249.96
1100406	granite concrete	€ 249.96
1100407	granite lava	€ 249.96
1100408	granit nero assoluto	€ 249.96



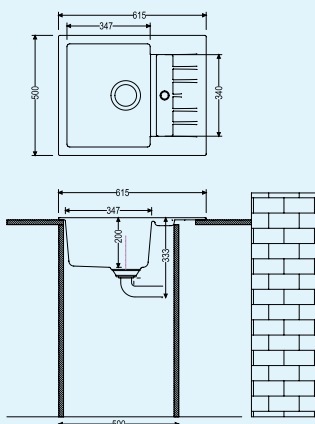
## Gramix 2 high pressure faucet

BELGAQUA

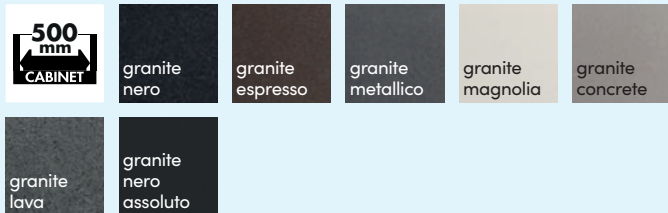
Single lever faucet. With swivelling/pull-out, side lever and ceramic cartridge with laminar jet regulator.

- swivel range 360°
- drill Ø 35 mm

1100411	granite nero	€ 290.77
1100412	granite espresso	€ 290.77
1100413	granite metallico	€ 290.77
1100415	granite magnolia	€ 290.77
1100416	granite concrete	€ 290.77
1100417	granite lava	€ 290.77
1100418	granit nero assoluto	€ 290.77



Order no. 1106051



**Corto 615**



- Built-in sink. Composite, with small draining surface, reversible. 3½" basket strainer valve flush with rotational excenter fitting, chrome-plated.
- both sides drilled through
  - suitable for worktop thicknesses from 22 mm to 44 mm
  - cut-out dimensions ca. 595 x 480 mm
  - can also be used in combination with hot water fittings (+/-100 °C)

Colour samples see catalogue 1 pages 55/26 EN.

1106081	granite nero	€ 302.80
1106082	granite espresso	€ 302.80
1106083	granite metallico	€ 302.80
1106085	granite magnolia	€ 302.80
1106086	granite concrete	€ 302.80
1106087	granite lava	€ 302.80
1106088	granite nero assoluto	€ 302.80

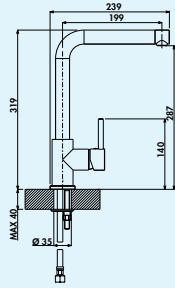
**Optional accessories**

1106051	Drip tray made of stainless steel, 466 x 252 mm	€ 127.26
1106283	Replacement set for rotating eccentric fitting, black	€ 44.12

# NABER-CONTURA<sup>®</sup> Composite

Order no. Description

per piece excl. VAT



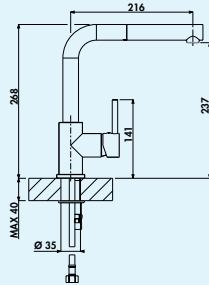
## Gramix 1 high pressure faucet

BELGAQUA

Single lever faucet. With swivelling outlet, side lever and ceramic cartridge with laminar jet regulator.

- swivel range 360°
- drill Ø 35 mm

1100401	granite nero	€ 249.96
1100402	granite espresso	€ 249.96
1100403	granite metallico	€ 249.96
1100405	granite magnolia	€ 249.96
1100406	granite concrete	€ 249.96
1100407	granite lava	€ 249.96
1100408	granit nero assoluto	€ 249.96



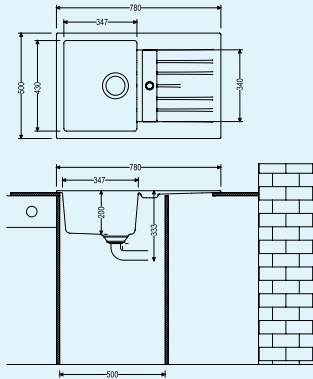
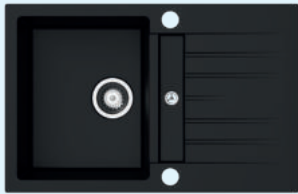
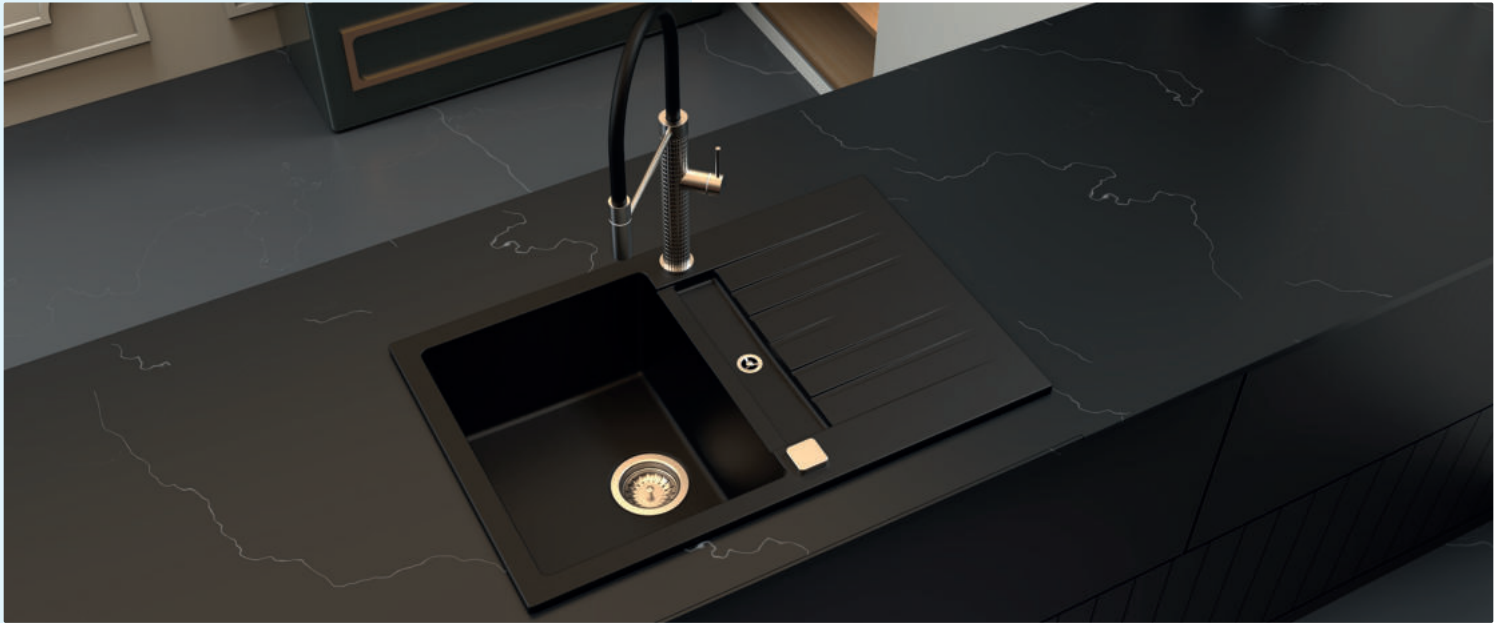
## Gramix 2 high pressure faucet

BELGAQUA

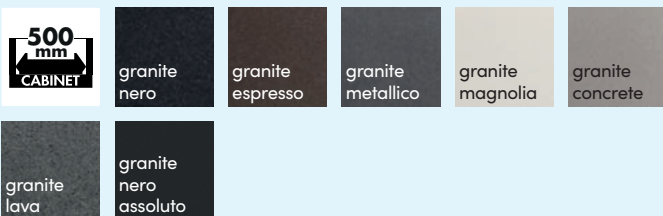
Single lever faucet. With **swivelling/pull-out**, side lever and ceramic cartridge with laminar jet regulator.

- swivel range 360°
- drill Ø 35 mm

1100411	granite nero	€ 290.77
1100412	granite espresso	€ 290.77
1100413	granite metallico	€ 290.77
1100415	granite magnolia	€ 290.77
1100416	granite concrete	€ 290.77
1100417	granite lava	€ 290.77
1100418	granit nero assoluto	€ 290.77



Order no. 1106051



**Corto 780**



Built-in sink. Composite, with small draining surface, reversible. 3½" basket strainer valve flush with rotational excenter fitting, chrome-plated.

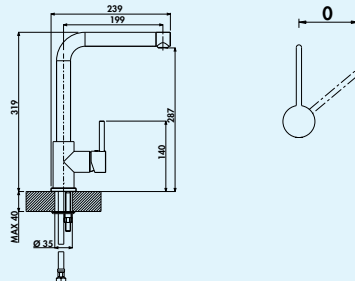
- both sides drilled through
- suitable for worktop thicknesses from 22 mm to 44 mm
- cut-out dimensions ca. 760 x 480 mm
- can also be used in combination with hot water fittings (+/-100 °C)

Colour samples see catalogue 1 pages 55/26 EN.

1106041	granite nero	€ 324.74
1106042	granite espresso	€ 324.74
1106043	granite metallico	€ 324.74
1106045	granite magnolia	€ 324.74
1106046	granite concrete	€ 324.74
1106047	granite lava	€ 324.74
1106048	granite nero assoluto	€ 324.74

**Optional accessories**

1106051	Drip tray made of stainless steel, 466 x 252 mm	€ 127.26
1106283	Replacement set for rotating eccentric fitting, black	€ 44.12



**Gramix 1 high pressure faucet**

BELGAQUA

Single lever faucet. With swivelling outlet, side lever and ceramic cartridge with laminar jet regulator.

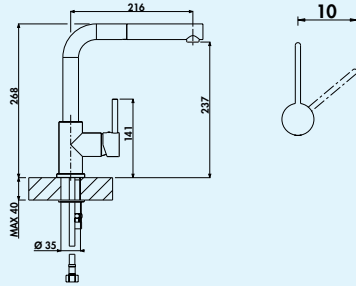
- swivel range 360°
- drill Ø 35 mm

1100401	granite nero	€ 249.96
1100402	granite espresso	€ 249.96
1100403	granite metallico	€ 249.96
1100405	granite magnolia	€ 249.96
1100406	granite concrete	€ 249.96
1100407	granite lava	€ 249.96
1100408	granite nero assoluto	€ 249.96

# NABER-CONTURA® Composite

Order no. Description

per piece excl. VAT



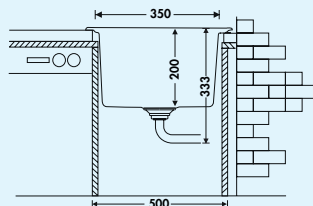
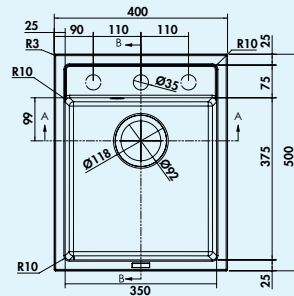
## Gramix 2 high pressure faucet

BELGAQUA

Single lever faucet. With **swivelling/pull-out**, side lever and ceramic cartridge with laminar jet regulator.

- swivel range 360°
- drill Ø 35 mm

1100411	granite nero	€ 290.77
1100412	granite espresso	€ 290.77
1100413	granite metallico	€ 290.77
1100415	granite magnolia	€ 290.77
1100416	granite concrete	€ 290.77
1100417	granite lava	€ 290.77
1100418	granit nero assoluto	€ 290.77



## Angola 40



Built-in sink. Composite, single bowl. 3½" basket strainer valve flush with rotational excenter fitting, chrome-plated. 3 pre-drilled holes, **drill holes must be completed during assembly.**

**Also suitable for flush installation.**

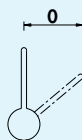
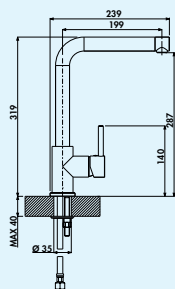
- suitable for worktop thicknesses from 22 mm to 44 mm
- cut-out dimensions ca. 380 x 480 mm (built-in sink)
- can also be used in combination with hot water fittings (+/-100 °C)

Colour samples see catalogue 1 pages 55/26 EN.

1106111	granite nero	€ 302.80
1106112	granite espresso	€ 302.80
1106113	granite metallico	€ 302.80
1106114	granite magnolia	€ 302.80
1106115	granite concrete	€ 302.80
1106116	granite lava	€ 302.80
1106117	granite nero assoluto	€ 302.80

### Optional accessories

1106284	Replacement set for rotating eccentric fitting, black	€ 40.50
---------	---	---------



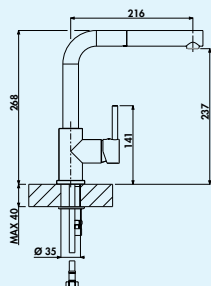
## Gramix 1 high pressure faucet

BELGAQUA

Single lever faucet. With swivelling outlet, side lever and ceramic cartridge with laminar jet regulator.

- swivel range 360°
- drill Ø 35 mm

1100401	granite nero	€ 249.96
1100402	granite espresso	€ 249.96
1100403	granite metallico	€ 249.96
1100405	granite magnolia	€ 249.96
1100406	granite concrete	€ 249.96
1100407	granite lava	€ 249.96
1100408	granit nero assoluto	€ 249.96



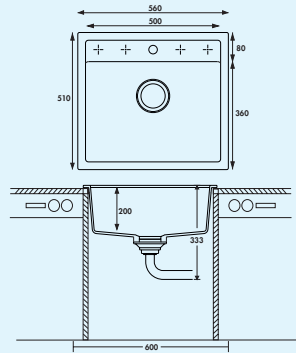
## Gramix 2 high pressure faucet

BELGAQUA

Single lever faucet. With swivelling/pull-out, side lever and ceramic cartridge with laminar jet regulator.

- swivel range 360°
- drill Ø 35 mm

1100411	granite nero	€ 290.77
1100412	granite espresso	€ 290.77
1100413	granite metallico	€ 290.77
1100415	granite magnolia	€ 290.77
1100416	granite concrete	€ 290.77
1100417	granite lava	€ 290.77
1100418	granit nero assoluto	€ 290.77

600 mm  
CABINETgranite  
nerogranite  
espressogranite  
metallicogranite  
magnoliagranite  
concretegranite  
lavagranite  
nero  
assoluto

### Angola 56



Built-in sink. Composite, single bowl. 3½" basket strainer valve flush with rotational excenter fitting, chrome-plated. 5 pre-drilled holes, **drill holes must be completed during assembly.**

**Also suitable for flush installation.**

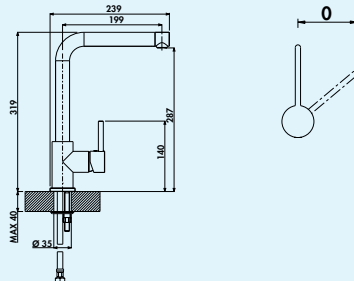
- suitable for worktop thicknesses from 22 mm to 44 mm
- cut-out dimensions ca. 545 x 495 mm (built-in sink)
- can also be used in combination with hot water fittings (+/-100 °C)

Colour samples see catalogue 1 pages 55/26 EN.

1106021	granite nero	€ 354.59
1106022	granite espresso	€ 354.59
1106023	granite metallico	€ 354.59
1106025	granite magnolia	€ 354.59
1106026	granite concrete	€ 354.59
1106027	granite lava	€ 354.59
1106028	granite nero assoluto	€ 354.59

#### Optional accessories

1106282	Replacement set for rotating eccentric fitting, black	€ 43.61
---------	---	---------



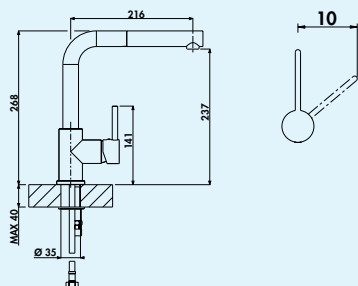
### Gramix 1 high pressure faucet

BELGAQUA

Single lever faucet. With swivelling outlet, side lever and ceramic cartridge with laminar jet regulator.

- swivel range 360°
- drill Ø 35 mm

1100401	granite nero	€ 249.96
1100402	granite espresso	€ 249.96
1100403	granite metallico	€ 249.96
1100405	granite magnolia	€ 249.96
1100406	granite concrete	€ 249.96
1100407	granite lava	€ 249.96
1100408	granite nero assoluto	€ 249.96



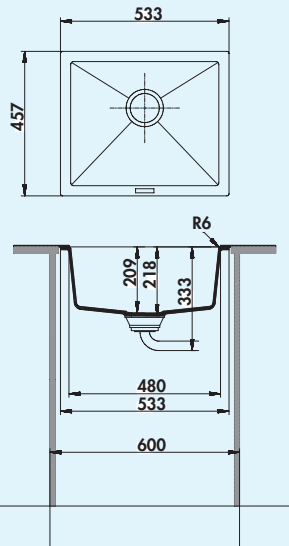
## Gramix 2 high pressure faucet

BELGAQUA

Single lever faucet. With **swivelling/pull-out**, side lever and ceramic cartridge with laminar jet regulator.

- swivel range 360°
- drill Ø 35 mm

1100411	granite nero	€ 290.77
1100412	granite espresso	€ 290.77
1100413	granite metallico	€ 290.77
1100415	granite magnolia	€ 290.77
1100416	granite concrete	€ 290.77
1100417	granite lava	€ 290.77
1100418	granit nero assoluto	€ 290.77



## Singoli 600



Sub-structure sink. Composite, single bowl. 3½" basket strainer valve flush, rotational excenter fitting, chrome plated.

- adapté pour plans de travail d'une épaisseur d'au moins 15 mm
- **eccentric handle drilling dimension Ø 35 mm**
- cut-out dimensions ca. 468 x 390 mm
- can also be used in combination with hot water fittings (+/-100 °C)

Colour samples see catalogue 1 pages 55/26 EN.

1106071	granite nero	€ 361.60
1106072	granite espresso	€ 361.60
1106073	granite metallico	€ 361.60
1106075	granite magnolia	€ 361.60
1106076	granite concrete	€ 361.60
1106077	granite lava	€ 361.60
1106078	granite nero assoluto	€ 361.60

### Optional accessories

1106280	Replacement set for rotating excenter fitting, black	€ 39.62
---------	--	---------

600  
mm  
CABINET

granite  
nero

granite  
espresso

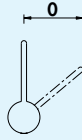
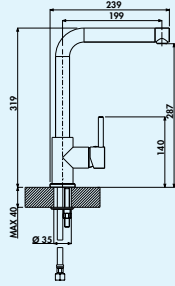
granite  
metallico

granite  
magnolia

granite  
concrete

granite  
lava

granite  
nero  
assoluto

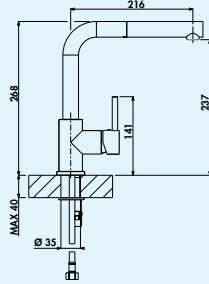
**Gramix 1 high pressure faucet**

BELGAQUA

Single lever faucet. With swivelling outlet, side lever and ceramic cartridge with laminar jet regulator.

- swivel range 360°
- drill Ø 35 mm

1100401	granite nero	€ 249.96
1100402	granite espresso	€ 249.96
1100403	granite metallico	€ 249.96
1100405	granite magnolia	€ 249.96
1100406	granite concrete	€ 249.96
1100407	granite lava	€ 249.96
1100408	granite nero assoluto	€ 249.96

**Gramix 2 high pressure faucet**

BELGAQUA

Single lever faucet. With swivelling/pull-out, side lever and ceramic cartridge with laminar jet regulator.

- swivel range 360°
- drill Ø 35 mm

1100411	granite nero	€ 290.77
1100412	granite espresso	€ 290.77
1100413	granite metallico	€ 290.77
1100415	granite magnolia	€ 290.77
1100416	granite concrete	€ 290.77
1100417	granite lava	€ 290.77
1100418	granite nero assoluto	€ 290.77



## Drip tray made of stainless steel



Fits Angola 100, Angola 100 L, Angola 150, Corto 780.

1106051 466 x 252 mm

€ 127.26



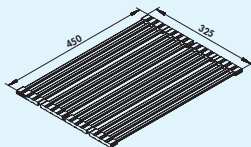
## Care set Cin-Nagranit

Set consisting of 3 bottles à 50 ml incl. eraser sponge.

- 1 x easy care product
- 2 x descaler/stain remover

1100003 set 3-part

€ 33.79



## Filo dish drainer

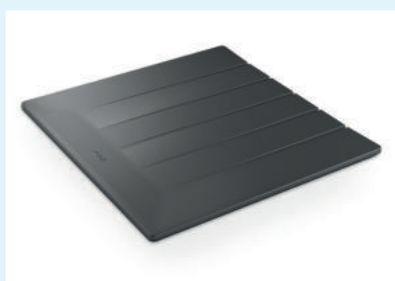


Folding mat. Foldable. Hollow stainless-steel rods ground, black silicone holder, food safe.

- foldable in segments
- stainless steel/silicone
- flat hollow rods in contoured silicone strips
- non-slip
- suitable for draining board or worktop
- 325 x 450 mm (W x D)

1013041 stainless steel

€ 66.35



## Filso drip mat

Drip mat made of silicone. Suitable for sub-structure and flush mounted sinks.

- food safe
- dishwasher safe
- temperature resistance –40 to 230 °C
- not suitable for cutting
- no folding
- 415 x 390 mm (W x D)

1013058 anthracite

€ 110.58



## Rotational excenter fitting

- 3½" basket strainer valve flush

1106061 3½" basket strainer valve flush, for Angola 150

€ 64.34

1106062 3½" basket strainer valve flush, for Angola 56

€ 60.12

1106063 3½" basket strainer valve flush, for Angola 100, Angola 100 L, Singoli 600

€ 50.73

1106064 3½" basket strainer valve flush, for Corto 780 and Corto 615

€ 50.73

1106066 3½" basket strainer valve flush, for Angola 40

€ 59.68



## Strainer basket insert manually operated

- for Singoli 600

1106065 for Singoli 600, Angola 56

€ 15.88

# NABER-CONTURA<sup>®</sup> Composite

Order no. Description

per piece excl. VAT



## Replacement set for rotating eccentric fitting

– for Angola 100, Angola 100L and Singoli 600

1106280 black

€ 39.62



## Replacement set for rotating eccentric fitting

– for Angola 150

1106281 black

€ 52.02



## Replacement set for rotating eccentric fitting

– for Angola 56

1106282 black

€ 43.61



## Replacement set for rotating eccentric fitting

– for Corto 780 and Corto 615

1106283 black

€ 44.12



## Replacement set for rotating eccentric fitting

– for Angola 40

1106284 black

€ 40.50