

NABER- CONTURA®

Sinks



Perfection



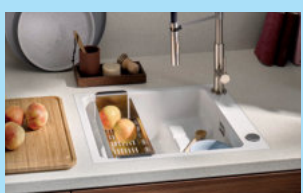
Sinks are the most frequently used items in the kitchen – and they have to take a lot of rough treatment. Good reasons to choose them carefully! Reasons to opt for the premium sinks from NABER-CONTURA®, because their appealing design and perfect quality convince with every use. The extremely versatile range in the materials stainless steel, ceramic and composite offers just the right sink for all furnishing styles and individual wishes.

Stainless steel sinks are unbeatably hard-wearing and extremely easy to care for: a fascinating eye-catcher! The high-quality porcelain stoneware of the ceramic sinks with their reserved elegance can handle even the toughest demands. Valuable detail: the convincing colour and shape variants. The composite sinks entice with the touch of their incomparably sleek surface. The Cin-Nagranit material, inspired by nature, guarantees exceptional colour intensity and beauty with outstanding durability, even after many years of use.

Whichever sink you pick: NABER-CONTURA® is always a highlight in the kitchen!

NABER-CONTURA® Sinks

Somehow typical
for ambitious kitchens



■ NABER-CONTURA® Stainless steel
Traditional material for premium
sinks – imaginatively designed Page 9–30

■ NABER-CONTURA® Ceramics
Versatile and consistent Page 31–44

■ NABER-CONTURA® Composite
Cin-Nagranit –
seduction for the senses Page 45–56

Overview of sinks

300 gauge cupboard width

Corno Piu PFU1
Stainless steel



Page 16

Standard S1
Stainless steel



Page 29

450 gauge cupboard width

Corno Piu PR2
Stainless steel



Page 14

Corno Piu PFU2
Stainless steel



Page 17

Corno Basso PR2
Stainless steel



Page 19

Corno Basso 2
Stainless steel



Page 21

Corno Ora
Stainless steel



Page 24

Riva 1
Stainless steel



Page 25

Riva 2
Stainless steel



Page 26

Nava 1
Stainless steel



Page 27

Nava 2
Stainless steel



Page 28

Nava 3
Stainless steel



Page 28

Standard S2
Stainless steel



Page 29

Standard S3
Stainless steel



Page 29

Standard S8
Stainless steel



Page 30

Overview of sinks

500 gauge cupboard width

Corno Turno 50
Stainless steel



Page 12

Corno Basso PR3
Stainless steel



Page 20

LineUP 2F
Ceramics



Page 37

Angola 100
Composite



Page 47

Angola 40
Composite



Page 52

Corno Piu PR3
Stainless steel



Page 15

Corno Basso 3
Stainless steel



Page 22

LineUP 1E
Ceramics



Page 38

Corto 615
Composite



Page 50

Corno Piu PFU3
Stainless steel



Page 17

LineUP 2E
Ceramics



Page 36

LineUP 1F
Ceramics



Page 39

Corto 780
Composite



Page 51

600 gauge cupboard width

Corno Turno 60
Stainless steel



Page 13

Corno Piu PFU4
Stainless steel



Page 18

Corno Basso 4
Stainless steel



Page 22

Corno Piu PR4
Stainless steel



Page 15

Corno Piu PFU11
Stainless steel



Page 18

Riva 3
Stainless steel



Page 26

Corno Piu PFU5
Stainless steel



Page 17

Corno Basso 5
Stainless steel



Page 22

Riva 4
Stainless steel



Page 26

Overview of sinks

600 gauge cupboard width

PickUP E
Ceramics



Page 33

Spülstein Einzelbecken
Ceramics



Page 41

Angola 56
Composite



Page 53

PickUP F
Ceramics



Page 34

Angola 100 L
Composite



Page 48

Singoli 600
Composite



Page 54

PickUP U
Ceramics



Page 35

Angola 150
Composite



Page 49

900 gauge cupboard width

Butler sink double bowl
Ceramics



Page 41

Top mounted washbasin

Patera 40
Ceramics



Page 43

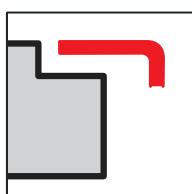
Lavara 60
Ceramics



Page 44

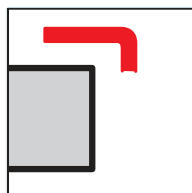
Types of installation

Perfectly integrated
in every way

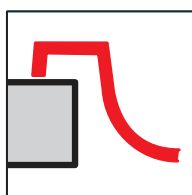


Sinks with flat edge

Adapted to the materiality of the work surface, surface or flush mounted, attractively minimalist sink optics are combined with maximum functionality.



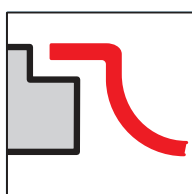
For surface or inset mounting of the sink, depending on the nature of the work surface.



Installation from above

Sinks with classic profiled outer edge for various daily use.

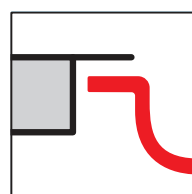
Faster and easier surface mounting in all types of work surfaces.



Flush installation

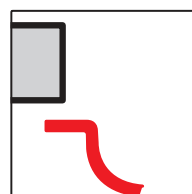
Flush installation combines the sink and work surface in an elegant combination and offers maximum convenience.

Especially recommended for granite, stone and glass work surfaces.



Flush installation from below

The laminate decor of the worktop borders on the edge of the bowl or the draining surface. A permanent bond under the laminate ensures easy working on one level.

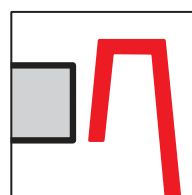


Sinks for installation from below

Continuous sealed work surfaces with classical sinks installed from below highlight the material of the work surface and offer continuous convenience without bothersome edges.

Ideal for work surfaces in granite, stone, artificial stone, ceramic and glass.

(Special mounting solutions or bonding provide a durable connection between work surface and sink.)



Sink module between work surfaces

Solitaire sink modules or classic butler sinks integrated as preparation and dishwashing centres between the adjacent work surfaces open up functional areas with a special flair.

Compatible with all types of work surfaces.

NABER-CONTURA® Stainless steel

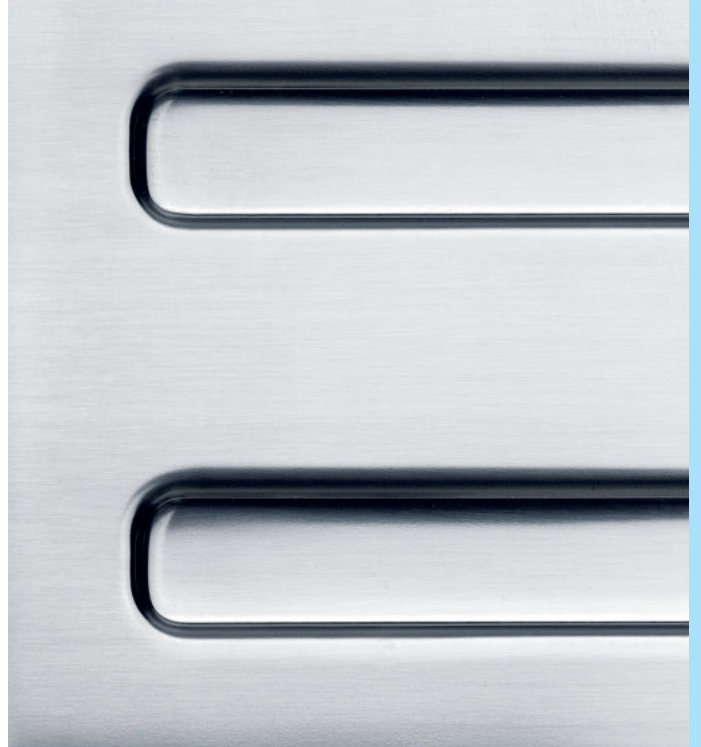
Material for premium sinks –
imaginatively designed



■ Corno Turno	Page 12–13
Corno Piu PR	Page 14–15
Corno Piu PFU	Page 16–18
Corno Basso PR	Page 19–20
Corno Basso	Page 21–22
Drip tray large	Page 23
Drip tray small	Page 23
Cutting board	Page 23
Bowl connector	Page 23
Filo dish drainer	Page 23
Filso drip mat	Page 23
Corno Ora	Page 24
Riva	Page 25–26
Nava	Page 27–28
Standard	Page 29–30
Spare parts	Page 30

Stainless steel

Properties



Stainless steel sinks

are made of standardized stainless steel 18/10, i.e. 18 % chrome + 10 % nickel which results in a high quality alloy (**material no. 1.43019**).

Therefore, you receive a non-porous surface, which is easy to clean and corrosion and heat resistant.

Flat edge

Due to their especially flat edge, the ranges Corno Piu and Corno Basso ensure a harmonious transition to the worktop in the kitchen. Therefore, no dirty edges form around the sink.



Stainless steel



Care instructions

Rust

Given common household wear and regular maintenance of the sink, no rust will be able to form. Small iron and rust particles from the water pipe may, especially in case of new buildings or maintenance work performed on the pipes, give the impression of traces of rust. You should therefore observe the following tips when taking care of your stainless steel sinks:

- Regularly remove dirt and lime deposits.
- Do not use a cleaning agent containing chlorine (usually sodium hypochlorite) or hydrochloric acid.
- If you use steel wool for cleaning, then it must consist of "Stainless steel rust-free".
- Avoid longer exposure to liquids with a high concentration of common salt.
- Avoid direct, long-term contact to rusting iron parts (for instance cast-iron pans or iron filings).

Spotty contamination

is usually caused by lime scale, occurring more or less, depending on the hardness of the drinking water supplied (information is provided by the community waterworks). This tends to bind dirt particles, so that this spotty contamination is created after only a short time.

- You can prevent such spots by drying the sink after each use.
- Should spots still occur, then use any commercially available cleaning agent for stainless steel care and lime scale.
- We recommend use of the **stainless steel system care set*** for optimum daily cleaning and stainless steel care.

Scratch marks

Our stainless steel sinks with high gloss surface are manufactured with the greatest care and using state-of-the-art manufacturing and processing methods.

The material properties of stainless steel 18/10 currently still exclude absolute scratch resistance and small scratch marks are therefore normal. Only by means of regular care using the recommended care set **stainless steel system care set*** will a pearl-finished glossy surface be achieved after about 2-4 weeks.

- **Important:** Make sure that the stainless steel surface is not treated against the polishing grain!

*You can order the **stainless steel system care set** as **item no. 1111141**. Further information on this also in catalog 2 TECH on page 151/24 EN.



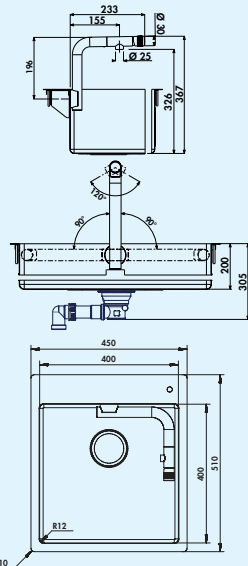
Corno Turno

With its permanently integrated faucet, a sink innovation becomes the centre of urban styled kitchens. Minimalist single-bowl aesthetics and high ease of use of the continuously 180° swivelling faucet stand for the perfection of a unique stainless steel combination. Intuitive and capable of being sunk into the bowl in one movement, the elegant faucet clears the way for perfect installation in front of a window at worktop level.

The rotating spout enables vertical water flow in any position.

In addition, valuable work surface is created by the two-piece optional cover that bridges the entire sink. Plenty of free space for all preparatory work and the faucet can still be used in the middle position due to a cut-out. Stainless steel quality with a material thickness of 1 mm ensures high quality and dimensional stability in either surface-mounted or flush-mounted installation. Sink and mixer concealed with chopping board serves as free work surface especially practical in small kitchens.

Design by tbSTUDIO, Berlin.



Corno Turno 50

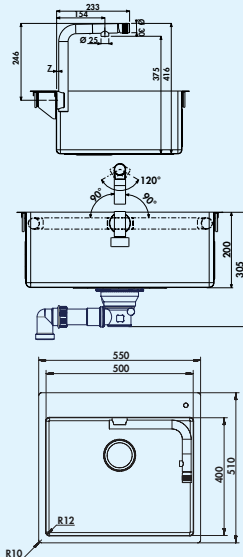


Built-in sink. 3 1/2" basket strainer valve flush with push-button excenter fitting. With single-lever mixer integrated into the bowl wall, stainless steel finish, swivel spout 180°, 120° rotating.

- flat edge: also suitable for flush mounting
- suitable for worktop thicknesses from 10 mm to 40 mm
- cut-out approx. 435 x 495 mm (built-in sink)
- bowl depth 200 mm
- with integrated single-lever mixer, stainless steel finish, high pressure
- infinitely 180° swivelling and positioning
- vertical water outlet in every position of the faucet
- ergonomic operation by single-lever mixer at the outlet end
- windows can be planned on worktop level and are simply opened

1041002 set (sink and Turno faucet)

1014.10 €



Corno Turno 60

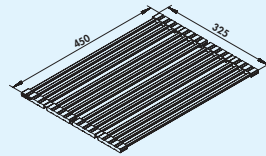


Built-in sink. 3½" basket strainer valve flush with push-button excenter fitting. With single-lever mixer integrated into the bowl wall, stainless steel finish, swivel spout 180°, 120° rotating.

- flat edge: also suitable for flush mounting
- suitable for worktop thicknesses from 10 mm to 40 mm
- cut-out approx. 535 x 495 mm (built-in sink)
- bowl depth 200 mm
- with integrated single-lever mixer, stainless steel finish, high pressure
- infinitely 180° swivelling and positioning
- vertical water outlet in every position of the faucet
- ergonomic operation by single-lever mixer at the outlet end
- windows can be planned on worktop level and are simply opened

1041001 set (sink and Turno faucet)

1029.16 €



Filo dish drainer



Folding mat. Foldable. Hollow stainless-steel rods ground, black silicone holder, food safe.

- foldable in segments
- stainless steel/silicone
- flat hollow rods in contoured silicone strips
- non-slip
- suitable for draining board or worktop
- 325 x 450 mm (W x D)

1013041 stainless steel

63.53 €



Filso drip mat

Drip mat made of silicone. Suitable for sub-structure and flush mounted sinks.

- food safe
- dishwasher safe
- temperature resistance –40 to 230 °C
- not suitable for cutting
- no folding
- 415 x 390 mm (W x D)

1013058 anthracite

105.88 €



Chopping board made of bamboo

Chopping board. Two-piece, covers the entire sink.

1014055 for Corno Turno 50, 412 x 206 mm

190.76 €

1014056 for Corno Turno 60, 412 x 256 mm

210.08 €

INFO BROCHURE

naber.com/en/downloads/

Corno Turno 50/60

Urban-style kitchens are experiencing an innovation in sinks

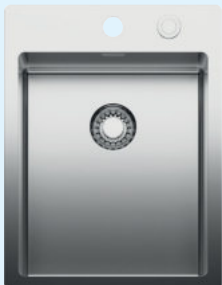




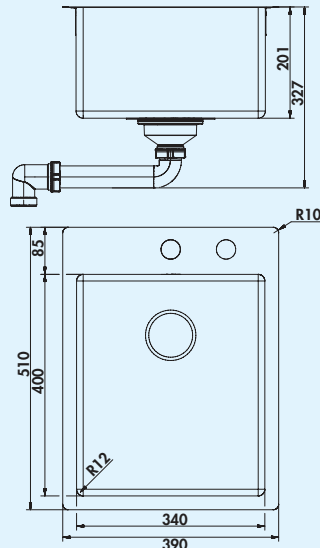
Corno Piu PR

In terms of form and style, the new Corno single basin series with integrated tap ledge focuses on minimalist, straight-line design, small bowl and edge radii and on the particular valency achieved by the highly durable quality of the 1 mm thick stainless steel material.

A push-button elegantly integrated flush into the tap ledge opens and closes the standard eccentric fitting with **strainer basket valve which is flush to the bottom**. The discreet **overflow** blends in **flush** with the sink geometry. The narrow rim ensures flat surface-mounted installation as well as flush installation. The wet ground finish creates a fine structure that makes the surface less susceptible to signs of use, facilitates the cleaning of the sink and allows water to drain more easily.



Order-No. 5011320



Corno Piu PR2



Built-in sink. Single bowl. 3½" basket strainer valve flush with push-button excenter fitting in stainless steel and basket strainer valve flush with the bottom.

Flat edge: also suitable for flush installation

- suitable for worktop thicknesses from 10 mm to 40 mm
- cut-out dimensions ca. 375 x 495 mm (built-in sink)

1013113 stainless steel 576.47 €

1041130 set (sink and Fuoco 1 faucet) 772.70 €

Optional accessories

1013044 Drip tray large, stainless steel 199.16 €

1013043 Drip tray small, stainless steel 178.99 €

1013045 Cutting board made of plastic, white 115.13 €

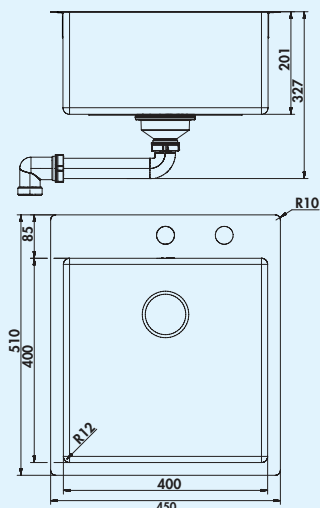
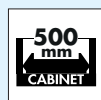
1013041 Filo dish drainer, stainless steel 63.53 €

Recommendations

5011320 Fuoco 1, chrome, high pressure 204.03 €



Order-No. 5011320



Corno Piu PR3



Built-in sink. Single bowl. 3½" basket strainer valve flush with push-button excenter fitting in stainless steel and basket strainer valve flush with the bottom.

Flat edge: also suitable for flush installation

- suitable for worktop thicknesses from 10 mm to 40 mm
- cut-out dimensions ca. 435 x 495 mm (built-in sink)

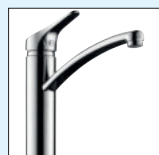
1013114	stainless steel	618.49 €
1041131	set (sink and Fuoco 1 faucet)	814.29 €

Optional accessories

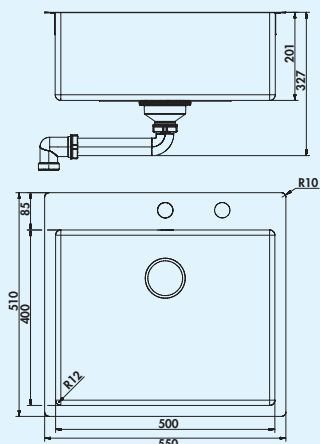
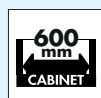
1013044	Drip tray large, stainless steel	199.16 €
1013043	Drip tray small, stainless steel	178.99 €
1013045	Cutting board made of plastic, white	115.13 €
1013041	Filo dish drainer, stainless steel	63.53 €

Recommendations

5011320	Fuoco 1, chrome, high pressure	204.03 €
---------	--------------------------------	----------



Order-No. 5011320



Corno Piu PR4



Built-in sink. Single bowl. 3½" basket valve with push-button excenter fitting in stainless steel and basket strainer valve flush with the bottom.

Flat edge: also suitable for flush installation

- suitable for worktop thicknesses from 10 mm to 40 mm
- cut-out dimensions ca. 535 x 495 mm (built-in sink)

1013112	stainless steel	678.15 €
1041132	set (sink and Fuoco 1 faucet)	868.95 €

Optional accessories

1013044	Drip tray large, stainless steel	199.16 €
1013043	Drip tray small, stainless steel	178.99 €
1013045	Cutting board made of plastic, white	115.13 €
1013041	Filo dish drainer, stainless steel	63.53 €

Recommendations

5011320	Fuoco 1, chrome, high pressure	204.03 €
---------	--------------------------------	----------



Corno Piu PFU

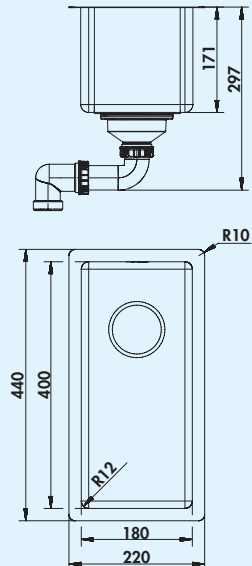
The further developed Corno single basin series is characterised by symmetrical edge geometry and small basin and edge radii. The precise processing of the 1 mm thick stainless steel material guarantees a high level of durability and quality in use. Aesthetics in detail are evident in the **flush integrated overflow** and the strainer **basket valve integrated flush with the bottom**. The all-round narrow bowl rim ensures flat surface-mounted installation, flush installation and problem-free substructure installation.

The wet ground finish creates a fine structure that makes the surface less susceptible to signs of use, facilitates the cleaning of the sink and allows water to drain more easily.

Suitable for worktop thicknesses from 10–40 mm (built-in sink) and from 20 mm (sub-structure sink).



Order-No. 1013048



Corno Piu PFU1



Built-in/sub-structure sink. Single bowl. 3½" drain and spill-over fitting with basket strainer valve flush with the bottom. When using the mounting brackets supplied, the installation width required increases by approx. 30 mm per side in case of the sub-structure sink.

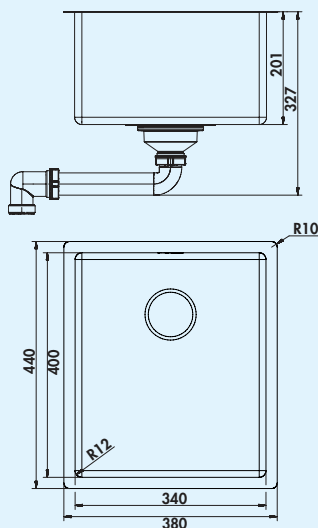
Flat edge: also suitable for flush installation

- cut-out dimensions ca. 210 x 430 mm (built-in sink)
- cut-out dimensions ca. 181 x 401 mm (substructure sink)

1013125 stainless steel **356.30 €**

Optional accessories

1013048 Bowl connector, white **27.98 €**



Order-No. 5011308



Corno Piu PFU2



Built-in/sub-structure sink. Single bowl. 3½" drain and spill-over fitting with basket strainer valve flush with the bottom. When using the mounting brackets supplied, the installation width required increases by approx. 30 mm per side in case of the sub-structure sink.

Flat edge: also suitable for flush installation

- cut-out dimensions ca. 370 x 430 mm (built-in sink)
- cut-out dimensions ca. 341 x 401 mm (substructure sink)

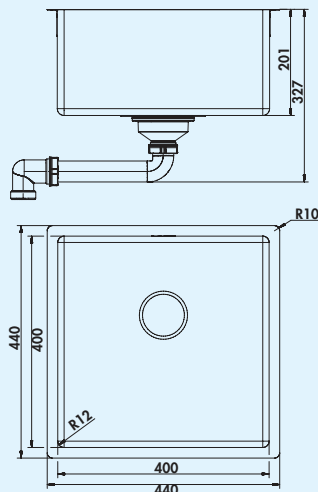
1013124	stainless steel	377.31 €
1041133	set (sink and Mio 3 faucet)	593.89 €

Optional accessories

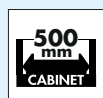
1014046	Rotational knob excenter fitting, stainless steel, drill Ø 35 mm	56.30 €
1013044	Drip tray large, stainless steel	199.16 €
1013043	Drip tray small, stainless steel	178.99 €
1013045	Cutting board made of plastic, white	115.13 €
1013041	Filo dish drainer, stainless steel	63.53 €

Recommendations

5011308	Mio 3, chrome, high-pressure	230.25 €
---------	------------------------------	----------



Order-No. 5011308



Corno Piu PFU3



Built-in/sub-structure sink. Single bowl. 3½" drain and spill-over fitting with basket strainer valve flush with the bottom. When using the mounting brackets supplied, the installation width required increases by approx. 30 mm per side in case of the sub-structure sink.

Flat edge: also suitable for flush installation

- cut-out dimensions ca. 430 x 430 mm (built-in sink)
- cut-out dimensions ca. 401 x 401 mm (substructure sink)

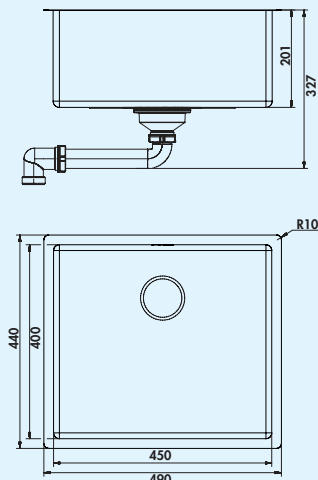
1013123	stainless steel	393.28 €
1041134	set (sink and Mio 3 faucet)	612.62 €

Optional accessories

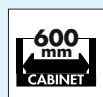
1014046	Rotational knob excenter fitting, stainless steel, drill Ø 35 mm	56.30 €
1013044	Drip tray large, stainless steel	199.16 €
1013043	Drip tray small, stainless steel	178.99 €
1013045	Cutting board made of plastic, white	115.13 €
1013041	Filo dish drainer, stainless steel	63.53 €

Recommendations

5011308	Mio 3, chrome, high-pressure	230.25 €
---------	------------------------------	----------



Order-No. 5011308



Corno Piu PFU5



Built-in/sub-structure sink. Single bowl. 3½" drain and spill-over fitting with basket strainer valve flush with the bottom. When using the mounting brackets supplied, the installation width required increases by approx. 30 mm per side in case of the sub-structure sink.

Flat edge: also suitable for flush installation

- cut-out dimensions ca. 480 x 430 mm (built-in sink)
- cut-out dimensions ca. 451 x 401 mm (substructure sink)

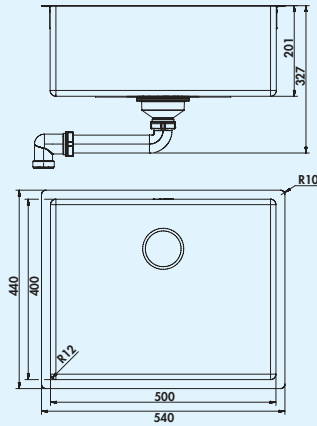
1013126	stainless steel	399.16 €
1041135	set (sink and Mio 3 faucet)	619.97 €

Optional accessories

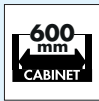
1014046	Rotational knob excenter fitting, stainless steel, drill Ø 35 mm	56.30 €
1013044	Drip tray large, stainless steel	199.16 €
1013043	Drip tray small, stainless steel	178.99 €
1013045	Cutting board made of plastic, white	115.13 €
1013041	Filo dish drainer, stainless steel	63.53 €

Recommendations

5011308	Mio 3, chrome, high-pressure	230.25 €
---------	------------------------------	----------



Order-No. 5011308

**Corno Piu PFU4**

Built-in/sub-structure sink. Single bowl. 3½" drain and spill-over fitting with basket strainer valve flush with the bottom. When using the mounting brackets supplied, the installation width required increases by approx. 30 mm per side in case of the sub-structure sink.

Flat edge: also suitable for flush installation

- cut-out dimensions ca. 530 x 430 mm (built-in sink)
- cut-out dimensions ca. 501 x 401 mm (substructure sink)

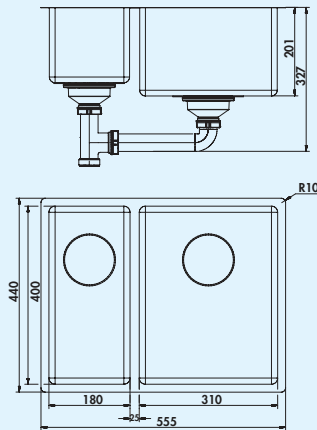
1013122	stainless steel	409.24 €
1041141	set (sink and Mio 3 faucet)	629.90 €

Optional accessories

1014046	Rotational knob excenter fitting, stainless steel, drill Ø 35 mm	56.30 €
1013044	Drip tray large, stainless steel	199.16 €
1013043	Drip tray small, stainless steel	178.99 €
1013045	Cutting board made of plastic, white	115.13 €
1013041	Filo dish drainer, stainless steel	63.53 €

Recommendations

5011308	Mio 3, chrome, high-pressure	230.25 €
---------	------------------------------	----------



Order-No. 5011308

**Corno Piu PFU11**

Built-in/sub-structure sink. With half sink. Both bowls with 3½" drain and spill-over fitting and basket strainer valve flush with the bottom. When using the mounting brackets supplied, the installation width required increases by approx. 30 mm per side in case of the sub-structure sink.

Flat edge: also suitable for flush installation

- cut-out dimensions ca. 545 x 430 mm (built-in sink)
- cut-out dimensions ca. 516 x 401 mm (substructure sink)
- **without half sink insert**

1013120	stainless steel, bowl right	795.80 €
1041144	set (bowl right and Mio 3 faucet)	1013.22 €
1013121	stainless steel, bowl left	795.80 €
1041145	set (bowl left and Mio 3 faucet)	1013.22 €

Optional accessories

1013042	Half sink insert, stainless steel	200.00 €
1014046	Rotational knob excenter fitting, stainless steel, drill Ø 35 mm	56.30 €
1013044	Drip tray large, stainless steel	199.16 €
1013043	Drip tray small, stainless steel	178.99 €
1013045	Cutting board made of plastic, white	115.13 €
1013041	Filo dish drainer, stainless steel	63.53 €

Recommendations

5011308	Mio 3, chrome, high-pressure	230.25 €
---------	------------------------------	----------

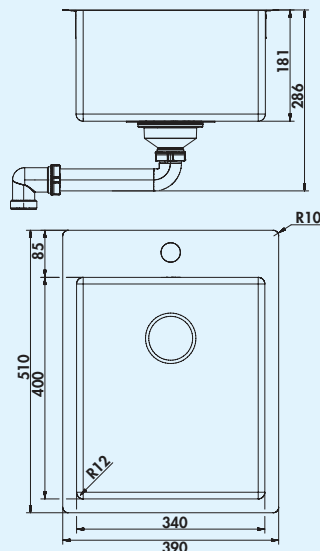


Corno Basso PR

The understated design of the all-round sink rim is continued in the integrated faucet bench of the Corno Basso PR series. Thus, each built-in sink model convinces with contemporary minimalism. Recommended combinations of sink and faucet are presented as a set offer. The streamlined and symmetrical stainless-steel sinks are ideal for flush and surface-mounted installation. Both options ensure a harmonious transition to the worktop. The Corno Basso PR models feature the small bowl and rim radii typical of the Corno series. Thanks to the first-class workmanship of the stainless-steel material, they are extremely hard-wearing and easy to clean.



Order-No. 5011250



Corno Basso PR2



Built-in sink. Single bowl. 3½" drain and spill-over fitting.

Flat edge: also suitable for flush installation

- suitable for worktop thicknesses from 10 mm to 40 mm
- cut-out dimensions ca. 375 x 495 mm (built-in sink)

1013144	stainless steel	440.34 €
1041146	set (sink and Arco 1 faucet)	615.05 €

Optional accessories

1013044	Drip tray large, stainless steel	199.16 €
1013043	Drip tray small, stainless steel	178.99 €
1013045	Cutting board made of plastic, white	115.13 €
1013041	Filo dish drainer, stainless steel	63.53 €

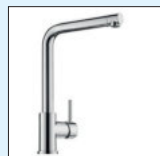
Recommendations

5011250	Arco 1, chrome, high pressure	174.71 €
---------	-------------------------------	----------

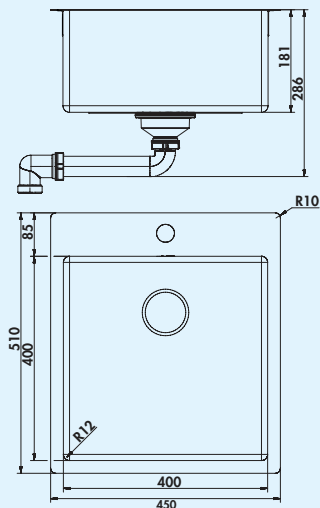
NABER-CONTURA® Stainless steel

Order no. Item/
Description

per pc. excl. VAT



Order-No. 5011250



Corno Basso PR3



Built-in sink. Single bowl. 3½" drain and spill-over fitting.

Flat edge: also suitable for flush installation

— suitable for worktop thicknesses from 10 mm to 40 mm
— cut-out dimensions ca. 435 x 495 mm (built-in sink)

1013145 stainless steel 478.99 €

1041147 set (sink and Arco 1 faucet) 625.92 €

Optional accessories

1013044 Drip tray large, stainless steel 199.16 €

1013043 Drip tray small, stainless steel 178.99 €

1013045 Cutting board made of plastic, white 115.13 €

1013041 Filo dish drainer, stainless steel 63.53 €

Recommendations

5011250 Arco 1, chrome, high pressure 174.71 €

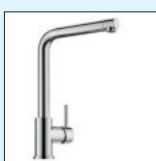


Corno Basso

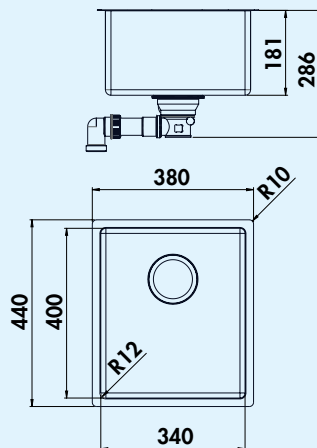
The new Basso series fits conceptually into the minimalist Corno design concept with individual bowls for built-in or substructure installation, and is characterised by a straightforward design language, symmetrical edge geometry and small bowl and edge radii. Values such as durability and quality in use are guaranteed by the particularly precise processing of the 1 mm thick stainless steel material. The all-round narrow bowl rim ensures flat surface-mounted installation, flush installation and problem-free substructure installation. With four bowl sizes and faucet set combinations, a wide range of kitchen plans can be realised. Optional accessories such as the stainless steel push button, half sink, draining tray and chopping board complete the exclusive Corno own-brand range.

The wet ground finish creates a fine structure that makes the surface less susceptible to signs of use, facilitates the cleaning of the sink and allows water to drain more easily.

The sinks are suitable for worktop thicknesses from 10–40 mm (built-in sink) and from 20 mm (sub-structure sink).



Order-No. 5011250



Corno Basso 2



Built-in/sub-structure sink. Single bowl. 3½" drain and spill-over fitting. When using the mounting brackets supplied, the installation width required increases by approx. 30 mm per side in case of the sub-structure sink.

Flat edge: also suitable for flush installation

- cut-out dimensions ca. 370 x 430 mm (built-in sink)
- cut-out dimensions ca. 340 x 400 mm (substructure sink)

1013140 stainless steel	331.93 €
1041113 set (sink and Arco 1 faucet)	502.84 €

Optional accessories

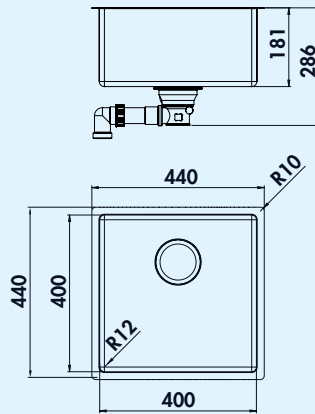
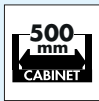
1014047 Rotational knob excenter fitting, stainless steel, drill Ø 35 mm	51.51 €
1013044 Drip tray large, stainless steel	199.16 €
1013043 Drip tray small, stainless steel	178.99 €
1013045 Cutting board made of plastic, white	115.13 €
1013041 Filo dish drainer, stainless steel	63.53 €
1013059 Pull knob excenter fitting, stainless steel, drill Ø 35 mm	99.16 €

Recommendations

5011250 Arco 1, chrome, high pressure	174.71 €
---------------------------------------	----------



Order-No. 5011250

**Corno Basso 3**

Built-in/sub-structure sink. Single bowl. 3½" drain and spill-over fitting. When using the mounting brackets supplied, the installation width required increases by approx. 30 mm per side in case of the sub-structure sink.

Flat edge: also suitable for flush installation

- cut-out dimensions ca. 430 x 430 mm (built-in sink)
- cut-out dimensions ca. 400 x 400 mm (substructure sink)

1013141	stainless steel	344.54 €
1041114	set (sink and Arco 1 faucet)	515.36 €

Optional accessories

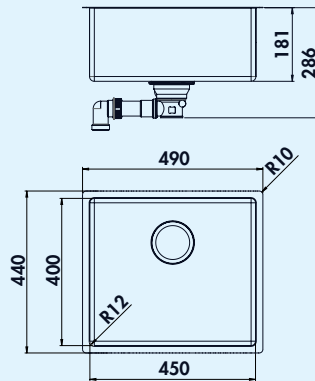
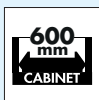
1014047	Rotational knob excenter fitting, stainless steel, drill Ø 35 mm	51.51 €
1013044	Drip tray large, stainless steel	199.16 €
1013043	Drip tray small, stainless steel	178.99 €
1013045	Cutting board made of plastic, white	115.13 €
1013041	Filo dish drainer, stainless steel	63.53 €
1013059	Pull knob excenter fitting, stainless steel, drill Ø 35 mm	99.16 €

Recommendations

5011250	Arco 1, chrome, high pressure	174.71 €
---------	-------------------------------	----------



Order-No. 5011250

**Corno Basso 5**

Built-in/sub-structure sink. Single bowl. 3½" drain and spill-over fitting. When using the mounting brackets supplied, the installation width required increases by approx. 30 mm per side in case of the sub-structure sink.

Flat edge: also suitable for flush installation

- cut-out dimensions ca. 480 x 430 mm (built-in sink)
- cut-out dimensions ca. 450 x 400 mm (substructure sink)

1013142	stainless steel	368.07 €
1041115	set (set and Arco 1 faucet)	536.00 €

Optional accessories

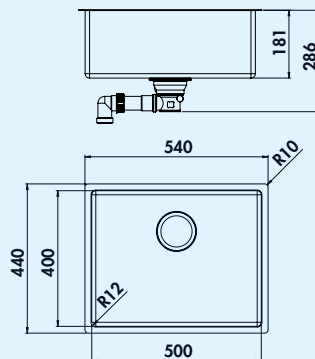
1014047	Rotational knob excenter fitting, stainless steel, drill Ø 35 mm	51.51 €
1013044	Drip tray large, stainless steel	199.16 €
1013043	Drip tray small, stainless steel	178.99 €
1013045	Cutting board made of plastic, white	115.13 €
1013041	Filo dish drainer, stainless steel	63.53 €
1013059	Pull knob excenter fitting, stainless steel, drill Ø 35 mm	99.16 €

Recommendations

5011250	Arco 1, chrome, high pressure	174.71 €
---------	-------------------------------	----------



Order-No. 5011250

**Corno Basso 4**

Built-in/sub-structure sink. Single bowl. 3½" drain and spill-over fitting. When using the mounting brackets supplied, the installation width required increases by approx. 30 mm per side in case of the sub-structure sink.

Flat edge: also suitable for flush installation

- cut-out dimensions ca. 530 x 430 mm (built-in sink)
- cut-out dimensions ca. 500 x 400 mm (substructure sink)

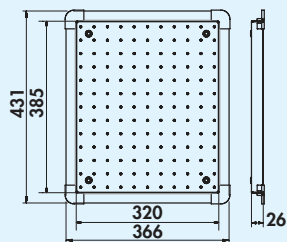
1013143	stainless steel	373.95 €
1041116	set (set and Arco 1 faucet)	540.43 €

Optional accessories

1014047	Rotational knob excenter fitting, stainless steel, drill Ø 35 mm	51.51 €
1013044	Drip tray large, stainless steel	199.16 €
1013043	Drip tray small, stainless steel	178.99 €
1013045	Cutting board made of plastic, white	115.13 €
1013041	Filo dish drainer, stainless steel	63.53 €
1013059	Pull knob excenter fitting, stainless steel, drill Ø 35 mm	99.16 €

Recommendations

5011250	Arco 1, chrome, high pressure	174.71 €
---------	-------------------------------	----------

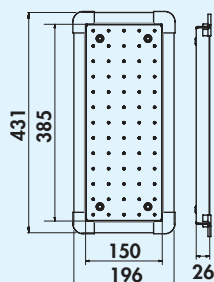


Drip tray large

– 366 mm x 431 mm (W x D)

1013044 stainless steel

199.16 €



Drip tray small

– 196 mm x 431 mm (W x D)

1013043 stainless steel

178.99 €

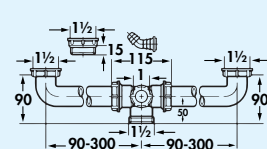
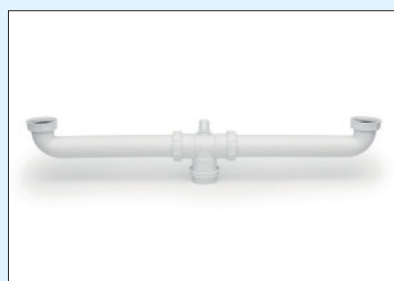


Cutting board made of plastic

– 320 mm x 420 mm (W x D)

1013045 white

115.13 €

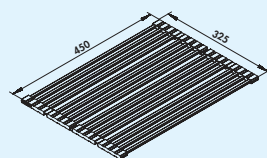


Bowl connector

Connector for 2 bowls. Required, if two Corno bowls are to be connected to each other.

1013048 white

27.98 €



Filo dish drainer

Folding mat. Foldable. Hollow stainless-steel rods ground, black silicone holder, food safe.

- foldable in segments
- stainless steel/silicone
- flat hollow rods in contoured silicone strips
- non-slip
- suitable for draining board or worktop
- 325 x 450 mm (W x D)

1013041 stainless steel

63.53 €



Filso drip mat

Drip mat made of silicone. Suitable for sub-structure and flush mounted sinks.

- food safe
- dishwasher safe
- temperature resistance –40 to 230 °C
- not suitable for cutting
- no folding
- 415 x 390 mm (W x D)

1013058 anthracite

105.88 €



Corno Ora

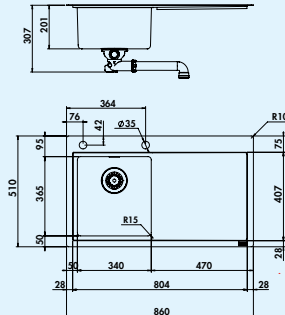
The timeless, purist design of the Corno Ora also follows the basic design principle of the Corno line: to reduce form and function to the essentials. Flat rim and narrow radii (15 mm) are the defining features. The ergonomic arrangement of deep basin and large draining board, connected by a guide rail along the complete longitudinal axis for the flexible placement of a chopping board, facilitate the work processes during rinsing and preparation. High quality and dimensional stability with flush and surface installation is ensured by the production of stainless steel in 1 millimetre material thickness. The sink is equipped with a reinforced tap ledge for stable mounting of the faucet. In addition, the platform is reinforced for increased stability and high-quality acoustics.



Order-No. 1014042



Order-No. 5011250



Corno Ora



Built-in sink. With draining surface. 3½" basket strainer valve flush, rotational knob excenter fitting.

Flat edge: also suitable for flush installation

- suitable for worktop thicknesses from 30 mm to 40 mm
- cut-out dimensions ca. 480 x 490 mm (built-in sink)

1014040	stainless steel, bowl right	798.32 €
1041126	set (bowl right and Arco 1)	967.19 €
1014041	bac/gauche, bowl left	798.32 €
1041127	set (bowl left and Arco 1)	967.19 €

Optional accessories

1014042	Drip tray, stainless steel	180.67 €
1014043	Cutting board made of plastic, white	121.85 €

Recommendations

5011250	Arco 1, chrome, high pressure	174.71 €
---------	-------------------------------	----------





Riva

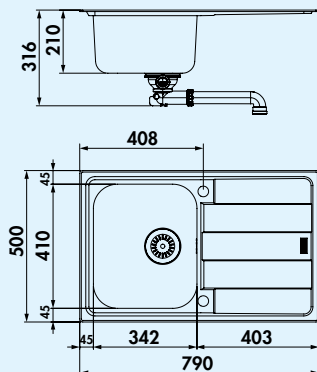
The Riva sink series impresses with its contemporary and simple design. The sinks of the Riva series are suitable for flat surface mounting on the work surface.



Order-No. 1014024



Order-No. 5011060



Riva 1



Built-in sink. With draining surface, reversible. 3½" basket strainer valve flush, rotational excenter fitting.

- suitable for worktop thicknesses from 30 mm to 40 mm
- cut-out dimensions ca. 770 x 480 mm

1014020	stainless steel	270.59 €
1041050	set (sink and Drive 1 faucet)	405.59 €

Optional accessories

1014024	Chopping board, solid beech, 445 x 225 mm	138.66 €
1014014	Drip tray, stainless steel, 342 x 410 mm	134.45 €

Recommendations

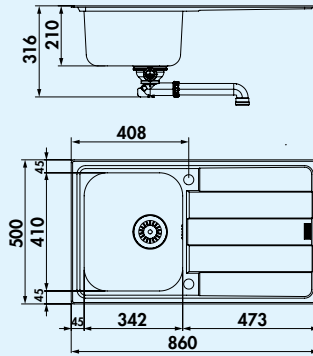
5011060	Drive 1, chrome, high pressure	141.18 €
---------	--------------------------------	----------



NABER-CONTURA® Stainless steel

Order no. Item/
Description

per pc. excl. VAT



Order-No. 1014024



Order-No. 5011060



Riva 2



Built-in sink. With draining surface, reversible. 3½" basket strainer valve flush, rotational excenter fitting.

- suitable for worktop thicknesses from 30 mm to 40 mm
- cut-out dimensions ca. 835 x 475 mm

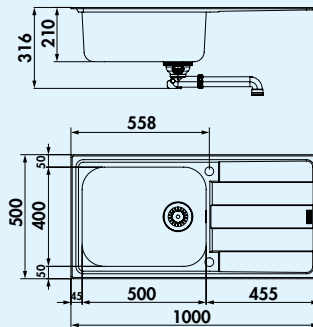
1014021	stainless steel	270.59 €
1041051	set (sink and Drive 1 faucet)	405.59 €

Optional accessories

1014024	Chopping board, solid beech, 445 x 225 mm	138.66 €
1014014	Drip tray, stainless steel, 342 x 410 mm	134.45 €

Recommendations

5011060	Drive 1, chrome, high pressure	141.18 €
---------	--------------------------------	----------



Order-No. 1014024



Order-No. 5011060



Riva 3



Built-in sink. With draining surface, reversible. 3½" basket strainer valve flush, rotational excenter fitting.

- suitable for worktop thicknesses from 30 mm to 40 mm
- cut-out dimensions ca. 975 x 475 mm

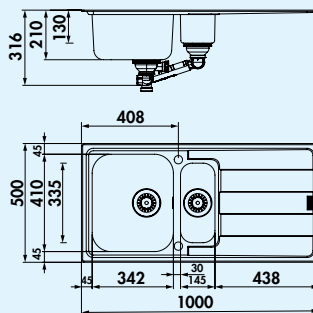
1014022	stainless steel	413.45 €
1041052	set (sink and Drive 1 faucet)	539.38 €

Optional accessories

1014024	Chopping board, solid beech, 445 x 225 mm	138.66 €
---------	---	----------

Recommendations

5011060	Drive 1, chrome, high pressure	141.18 €
---------	--------------------------------	----------



Order-No. 1014024



Order-No. 5011064



Riva 4



Built-in sink. With draining surface and half sink, reversible. 3½" basket strainer valve flush, rotational excenter fitting in the large bowl, half sink closeable.

- suitable for worktop thicknesses from 30 mm to 40 mm
- cut-out dimensions ca. 975 x 475 mm
- **without half sink insert**

1014023	stainless steel	346.22 €
1041053	set (sink and Drive 2 faucet)	531.41 €

Optional accessories

1014024	Chopping board, solid beech, 445 x 225 mm	138.66 €
1014014	Drip tray, stainless steel, 342 x 410 mm	134.45 €
1014013	Half sink insert, stainless steel	96.64 €

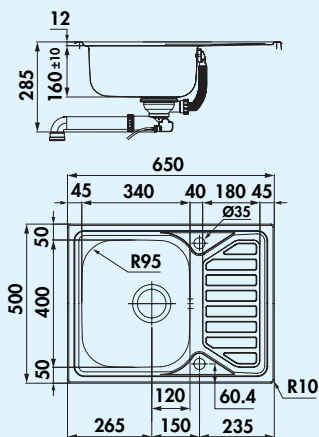
Recommendations

5011064	Drive 2, chrome, high pressure	193.28 €
---------	--------------------------------	----------



Nava

These sinks with their rhythmically outlined shapes complement the functional product range, giving it high longevity and durability.



OrderNo. 1015013



OrderNo. 5011060



Nava 1



Built-in sink. With draining surface, reversible. 3/8" basket strainer valve flush, rotational excenter fitting.

- suitable for worktop thicknesses from 17 mm to 40 mm
- cut-out dimensions ca. 630 x 480 mm

1015040 stainless steel	256.30 €
1041064 set (sink and Drive 1 faucet)	386.55 €

Optional accessories

1015013 Chopping board made of glass, black, 485 x 300 mm	121.01 €
---	----------

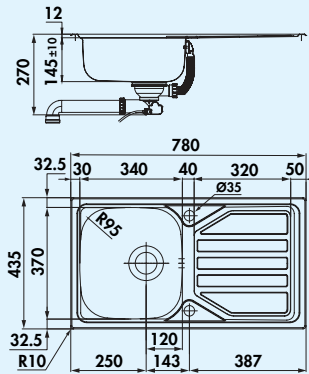
Recommendations

5011060 Drive 1, chrome, high pressure	141.18 €
--	----------

NABER-CONTURA® Stainless steel

Order no. Item/
Description

per pc. excl. VAT



Order-No. 5011060



Nava 2



Built-in sink. With draining surface, reversible. 3½" basket strainer valve flush, rotational excenter fitting.

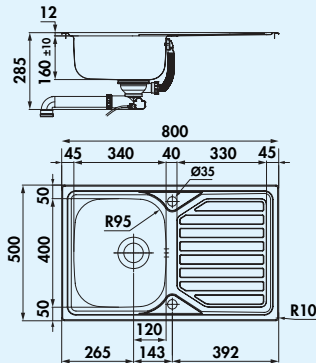
- suitable for worktop thicknesses from 17 mm to 40 mm
- cut-out dimensions ca. 760 x 415 mm

1015041 stainless steel 195.80 €

1041062 set (sink and Drive 1 faucet) 328.56 €

Recommendations

5011060 Drive 1, chrome, high pressure 141.18 €



Order-No. 1015013



Order-No. 5011060



Nava 3



Built-in sink. With draining surface, reversible. 3½" basket strainer valve flush, rotational excenter fitting.

- suitable for worktop thicknesses from 17 mm to 40 mm
- cut-out dimensions ca. 780 x 480 mm

1015042 stainless steel 265.55 €

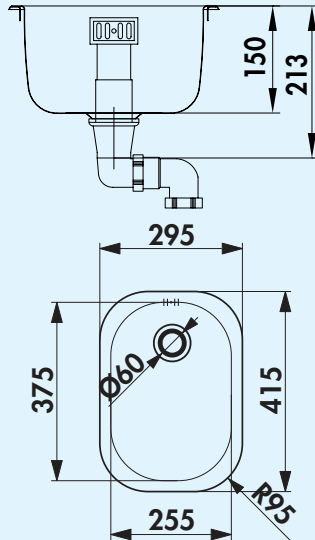
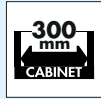
1041063 set (sink and Drive 1 faucet) 396.56 €

Optional accessories

1015013 Chopping board made of glass, black, 485 x 300 mm 121.01 €

Recommendations

5011060 Drive 1, chrome, high pressure 141.18 €



Standard S1

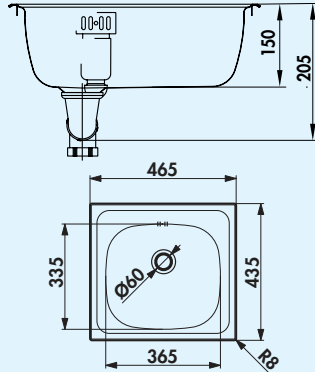
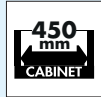


Built-in sink. Single bowl. 1½" drain and spillover fittings.
 – suitable for worktop thicknesses from 30 mm to 40 mm
 – cut-out dimensions according to template

1016056 stainless steel **188.24 €**

Spare parts

1016058 Spare parts drain connections, 1½" drain and spillover valve **13.28 €**

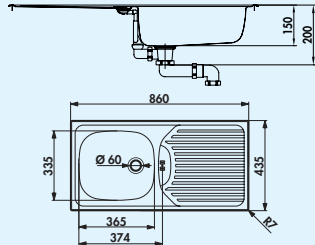


Standard S2



Built-in sink. Single bowl. 1½" drain and spillover fittings.
 – suitable for worktop thicknesses from 30 mm to 40 mm
 – cut-out dimensions ca. 445 x 415 mm

1016057 stainless steel **173.95 €**



Standard S3



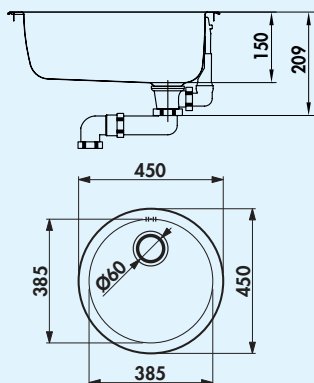
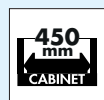
Built-in sink. With draining surface, reversible. 1½" drain and spillover fittings, incl. spill-over in the draining surface.
 – suitable for worktop thicknesses from 30 mm to 40 mm
 – cut-out dimensions ca. 840 x 415 mm

1016042 stainless steel **125.00 €**

NABER-CONTURA® Stainless steel

Order no. Item/
Description

per pc. excl. VAT



Standard S8



Built-in sink. Single round bowl. 1½" drain and spillover fittings.
— suitable for worktop thicknesses from 30 mm to 40 mm
— cut-out dimensions as per template

1016108 stainless steel **167.23 €**

Spare parts drain connections

For Corno Turno 50/60, Basso:

1013057 3½" basket valve, rotational knob excenter fitting **94.96 €**

For Corno Piu PR 2-4:

1014045 3½" basket valve, rotational knob excenter fitting **94.96 €**

For Corno Piu PFU 1-5:

1010048 3½" drain and spillover valve **33.19 €**

For Corno Piu PFU 11:

1010047 3½" drain and spillover valve **50.34 €**

For Corno Basso:

1010046 3½" drain and spillover valve **31.51 €**

For Corno Ora

1014044 3½" basket valve, rotational knob excenter fitting **105.88 €**

Nava 1-3:

1010050 3½" basket valve, rotational excenter fitting **76.22 €**

For Riva 1-3:

1014090 3½" basket valve, rotational excenter fitting **51.60 €**

For Riva 4:

1014091 3½" basket valve, rotational excenter fitting **71.18 €**

For Standard S1, Standard S2, Standard S8:

1016058 1½" drain and spillover valve **13.28 €**

For Standard S3:

1016041 1½" drain and spillover valve **22.94 €**

NABER-CONTURA® Ceramics

Versatile and consistent



PickUP E	Page 33
PickUP F	Page 34
PickUP U	Page 35
LineUP 2E	Page 36
LineUP 2F	Page 37
LineUP 1E	Page 38
LineUP 1F	Page 39
Filo dish drainer	Page 40
Filso drip mat	Page 40
Cover cap drain cover	Page 40
Premium rotational excenter	Page 40
Bowl insert	Page 40
Chopping board made of bamboo	Page 40
Butler sinks	Page 41
Patera 40	Page 43
Lavara 60	Page 44

NABER-CONTURA® Ceramics

PickUP + LineUP –
High-grade ceramics when the
highest quality is needed

Naber's new **PickUP + LineUP** ranges of ceramic sinks win every respect. The high-quality fine stoneware is elaborately manufactured with selected craftsmanship. Each product is carefully cast, polished, glazed, fired, ground and then thoroughly inspected.

As a result, the product is particularly resistant and safe to withstand extreme demands.

PickUP + LineUP ceramic kitchen sinks are incredibly resistant! The sinks are particularly easy and problem-free to clean, they are completely odourless and tasteless. Due to their high scratch resistance, the sinks can even be used as a cutting surface. **PickUP + LineUP** sinks

are impact-resistant and resistant to cold, heat and acids. Not even colour-intensive food or household chemicals leave any traces!

Five different installation types, four colours and an attractive range of shapes create variety. In our own sample book, the choice of colours is haptically and impressively documented.

Naber PickUP + LineUP ceramic sinks can be integrated into kitchens of any style and quickly become a valuable, practical and aesthetic eye-catcher.

Sample book Order no. 1090007



Colours

white glossy

white matt

lava

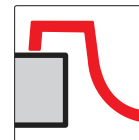
slate

nero

Extended warranty

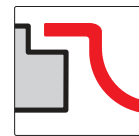
Due to their extraordinary insensitivity and excellent quality of use, we give a **5-year warranty** against manufacturing defects on the luxury ceramic sinks PickUP + LineUP.

Installation types



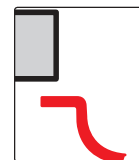
Installation from above

Sinks with classic profiled outer edge for versatile daily applications. Quick and easy installation in all types of worktops.



Flush mounting

The flush-mounted installation combines sink and worktop in an elegant combination and offers the highest level of comfort.



Sinks for substructure

Continuous closed worktops with traditionally undermounted basins accentuate the material of the worktop and offer comfort without disturbing edges.

INFO BROCHURE

naber.com/en/downloads/

PickUP

Best ceramic, smart design –
remarkably practical in daily use





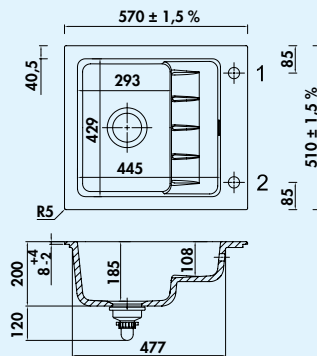
PickUP E

With increasing awareness of a resource-friendly use of water, smart sink concepts such as PickUP E are coming to the fore. High-quality ceramic and a ledge integrated into the bowl make this single bowl sink so unique. You don't always need a full sink to wash up a few glasses, cups and cutlery items and then drain them on the lower second level – which is also a practical place to put scrubbed vegetables, peelings and cuttings. Even the washing of a baking tray is part of the creative solution of a single bowl geometry for the economical routine of everyday washing up. Available in five colour variants, PickUP E can be integrated into any modern furnishing concept as a built-in sink.

We recommend using a faucet with pull-out spout or shower head.

5 years manufacturer's warranty (except on wearing parts)

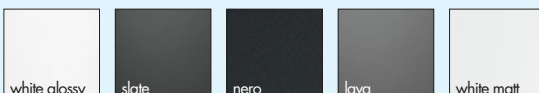
Design by Hans Winkler Design, Grafenau.



Order-No. 1091038



Order-No. 5011252



PickUP E



Built-in sink. Ceramic, single bowl with second level, reversible, 3½" basket strainer valve flush with premium rotational excenter fitting, chromed, drill hole 1+2 drilled through.

- suitable for worktop thicknesses from 30 mm
- cut-out approx. 540 x 480 mm, R 5 mm

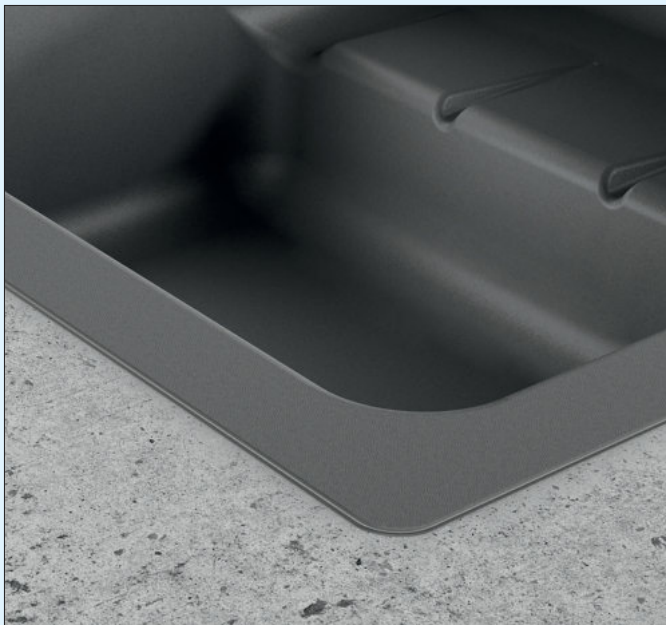
1091001	white glossy	924.37 €
1091002	slate	924.37 €
1091003	nero	924.37 €
1091004	lava	924.37 €
1091005	white matt	924.37 €

Optional accessories

1091038	Bowl insert, stainless steel	180.67 €
1091039	Chopping board made of bamboo, oiled	167.23 €

Recommendations

5011252	Arco 2, chrome, high pressure	230.50 €
---------	-------------------------------	----------



PickUP F

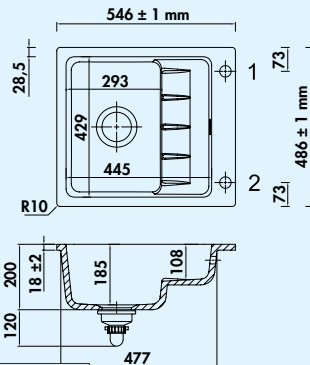
As a flush mounting variant, PickUP F is based on the trend towards edgeless integration into the worktop. The optical component not only upgrades the sink area stylistically, it is also easier to clean - a thoroughly important comfort aspect for kitchen planning. PickUP F also offers the choice between five colours, giving you the opportunity to set further individual accents.

We recommend using a faucet with pull-out spout or shower head.

Sink with milled outer edge for flush mounting. Worktop thickness min. 30 mm. Attention: In the cutout, a chamfer of 2 mm x 45° has to be applied to the upper edge!

5 years manufacturer's warranty (except on wearing parts)

Design by Hans Winkler Design, Grafenau.



Order-No. 1091038



Order-No. 5023125



white glossy

slate

nero

lava

white matt

PickUP F



Built-in sink for flush mounting. Ceramic, single bowl with second level, reversible, 3 1/2" basket strainer valve flush with premium rotational excenter fitting, chromed, drill hole 1 + 2 drilled through.

- suitable for worktop thicknesses from 30 mm
- requires beading all round or a support bar (beading depth 25 mm, beading width 8 mm)
- cutout dimensions approx. 550 x 490 mm, R 12 mm

1091011	white glossy	1004.20 €
1091012	slate	1004.20 €
1091013	nero	1004.20 €
1091014	lava	1004.20 €
1091015	white matt	1004.20 €

Optional accessories

1091038	Bowl insert, stainless steel	180.67 €
1091039	Chopping board made of bamboo, oiled	167.23 €

Recommendations

5023125	Steel 2, stainless steel, high pressure	473.11 €
---------	---	----------



PickUP U

Designed for rimless substructure mounting, the sink contour of the PickUP U directly adjoins the worktop cut-out. Pure aesthetics, which convey a more generous effect of the dishwashing area and the environment in a purist elegant way. It is particularly appreciated by planners when combined with stone, concrete and ceramic worktops. The trendy five-colour concept of the PickUP U offers versatile design options.

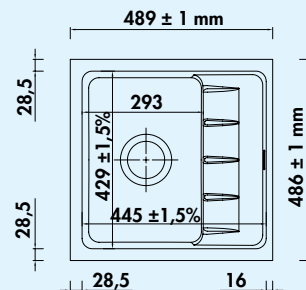
We recommend using a faucet with pull-out spout or shower head.

Sink with milled outer edge for sub-structure mounting. Worktop thickness min. 30 mm. If the sub-structure sink is glued, thinner worktops can be used.

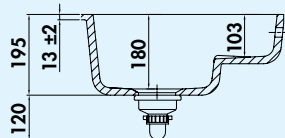
Due to the tolerance, we recommend that you make the cutout based on the supplied bowl.

5 years manufacturer's warranty (except on wearing parts)

Design by Hans Winkler Design, Grafenau.



Order-No. 5011252



PickUP U

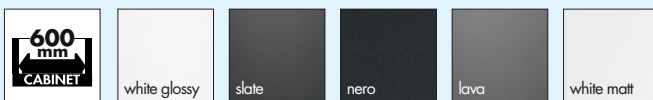
Substructure sink. Ceramic, single bowl with second level, reversible, 3 1/2" basket strainer valve flush with premium rotational excenter fitting, chromed, **without** drill hole.

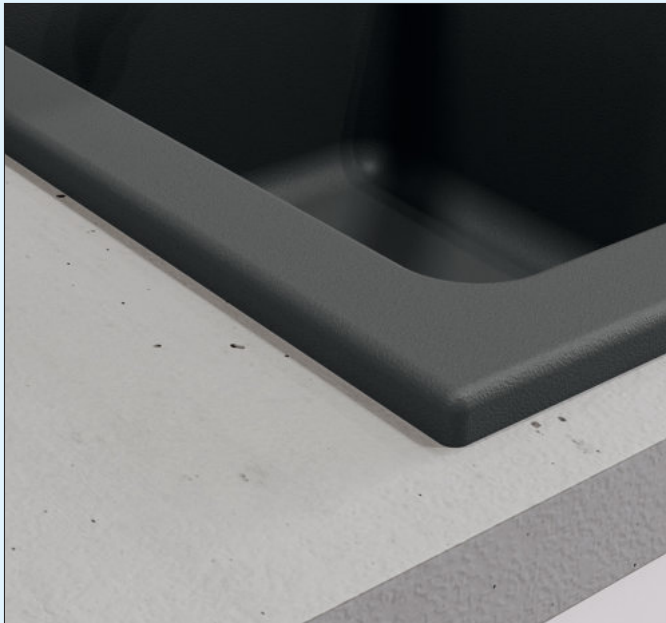
- suitable for worktop thicknesses from 30 mm
- cutout dimensions approx. 433 x 417 mm, R 19 mm
- no tap hole bank: provide holes for faucet and excenter in the worktop
- incl. mounting material

1091021	white glossy	1138.66 €
1091022	slate	1138.66 €
1091023	nero	1138.66 €
1091024	lava	1138.66 €
1091025	white matt	1138.66 €

Recommendations

5011252	Arco 2, chrome, high pressure	230.50 €
---------	-------------------------------	----------



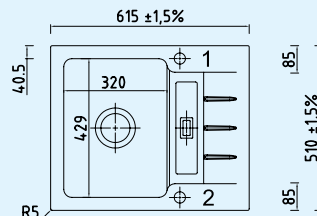


LineUP 2E

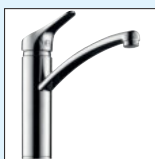
High-quality ceramic built-in sink in a contemporary look. A deep bowl as well as a small, slightly inclined integrated draining surface with practical drip tray determine the clear design language of the new model series. Cleverly designed, with its continuous material thickness, the edge-mounted sink widens in the area of the top ledge. Plannable in reverse and available in five colour variants, LineUP 2E meets all the requirements for furnishing and equipping smaller wash stations.

5 years manufacturer's warranty (except on wearing parts)

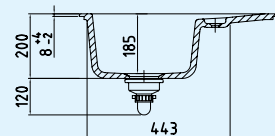
Design by Hans Winkler Design, Grafenau.



Order-No. 1091038



Order-No. 5011320



white glossy



slate



nero



lava



white matt

LineUP 2E



Built-in sink. Ceramic, single bowl with small draining surface, reversible, 3½" basket strainer valve flush with premium rotational excenter fitting, chromed, drill hole 1 + 2 drilled through.

- suitable for worktop thicknesses from 30 mm
- cut-out approx. 585 x 480 mm, R 5 mm

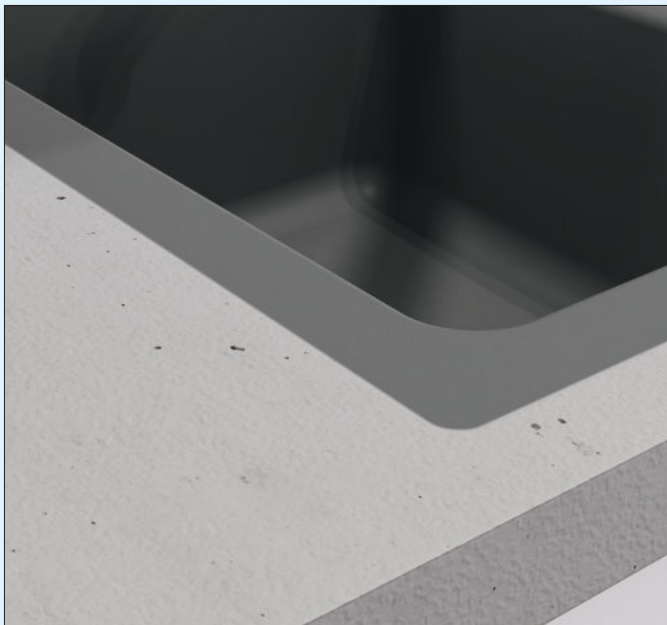
1091041	white glossy	895.80 €
1091042	slate	895.80 €
1091043	nero	895.80 €
1091044	lava	895.80 €
1091045	white matt	895.80 €

Optional accessories

1091038	Bowl insert, stainless steel	180.67 €
1091039	Chopping board made of bamboo, oiled	167.23 €

Recommendations

5011320	Fuoco 1, chrome, high pressure	204.03 €
---------	--------------------------------	----------



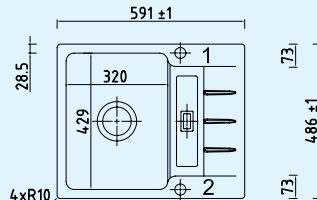
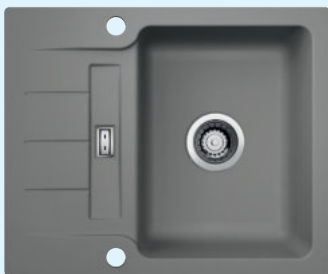
LineUP 2F

With the flush mounting solution, LineUP 2F relies on the practical and aesthetic advantages of rimless mounting. A deep bowl as well as a small, slightly inclined integrated draining surface with practical drip tray determine the clear design language of the new model series. Plannable in reverse and available in five colour variants, as a convenient functional solution, LineUP 2F meets all the requirements for furnishing and equipping smaller wash stations.

Sink with milled outer rim for flush installation. Worktop thickness min. 30 mm. Attention: In the cutout, a bevel of 2 mm x 45° must be applied to the upper edge!

5 years manufacturer's warranty (except on wearing parts)

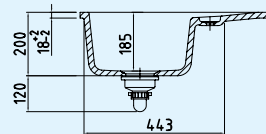
Design by Hans Winkler Design, Grafenau.



Order-No. 1091038



Order-No. 5011320



LineUP 2F

Built-in sink for flush mounting. Ceramic, single bowl with small draining surface, reversible, 3 1/2" basket strainer valve flush with premium rotational excenter fitting, chromed, drill hole 1 + 2 drilled through.

- suitable for worktop thicknesses from 30 mm
- requires beading all round or a support bar (beading depth 25 mm, beading width 8 mm)
- cutout dimensions approx. 595 x 490 mm, R 12 mm

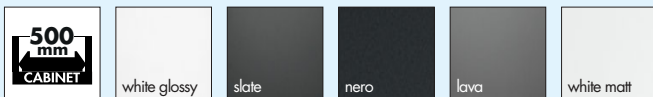
1091046	white glossy	983.19 €
1091047	slate	983.19 €
1091048	nero	983.19 €
1091049	lava	983.19 €
1091050	white matt	983.19 €

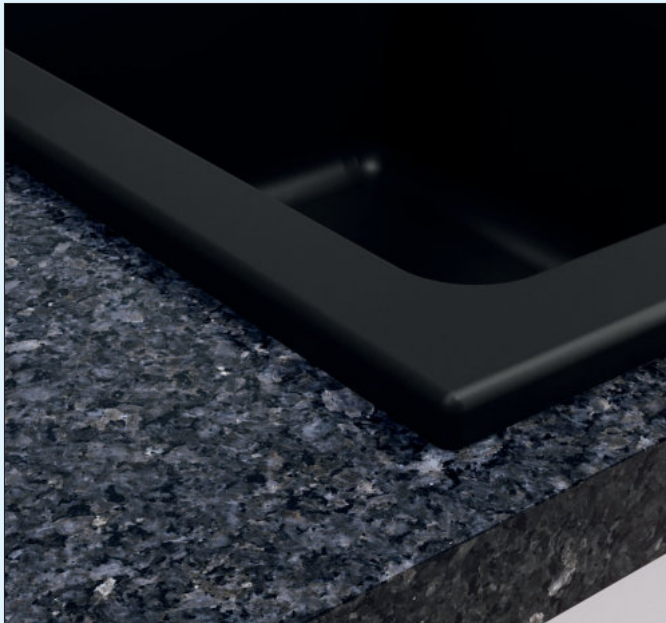
Optional accessories

1091038	Bowl insert, stainless steel	180.67 €
1091039	Chopping board made of bamboo, oiled	167.23 €

Recommendations

5011320	Fuoco 1, chrome, high pressure	204.03 €
---------	--------------------------------	----------



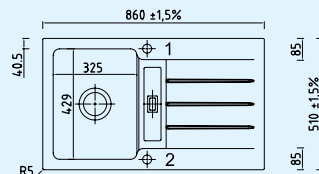


LineUP 1E

The surface-mounted built-in model variant offers more space for depositing dishes and pots and for preparation work. Plannable in reverse and available in five colour variants, as a functional solution with added convenience, LineUP 1E meets all the requirements for furnishing and equipping smaller wash stations.

5 years manufacturer's warranty (except on wearing parts)

Design by Hans Winkler Design, Grafenau.



OrderNo. 1091038



OrderNo. 5011308



white glossy



slate



nero



lava



white matt

LineUP 1E



Built-in sink. Ceramic, single bowl with draining surface, reversible, 3½" basket strainer valve flush with premium rotational excenter fitting, chromed, drill hole 1 + 2 drilled through.

- suitable for worktop thicknesses from 30 mm
- cut-out approx. 830 x 480 mm, R 5 mm

1091051	white glossy	1046.22 €
1091052	slate	1046.22 €
1091053	nero	1046.22 €
1091054	lava	1046.22 €
1091055	white matt	1046.22 €

Optional accessories

1091038	Bowl insert, stainless steel	180.67 €
1091039	Chopping board made of bamboo, oiled	167.23 €

Recommendations

5011308	Mio 3, chrome, high-pressure	230.25 €
---------	------------------------------	----------



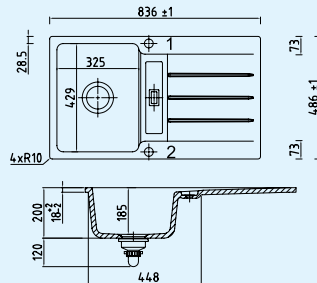
LineUP 1F

The flush built-in model variant offers more space for depositing dishes and pots and for preparation work. Plannable in reverse and available in five colour variants, as a functional solution with added convenience, LineUP 1F meets all the requirements for furnishing and equipping smaller wash stations.

Sink with milled outer rim for flush installation. Worktop thickness min. 30 mm. Attention: In the cutout, a bevel of 2 mm x 45° must be applied to the upper edge!

5 years manufacturer's warranty (except on wearing parts)

Design by Hans Winkler Design, Grafenau.



Order-No. 1091038

Order-No. 5011308



white glossy

slate

nero

lava

white matt

LineUP 1F

Built-in sink for flush mounting. Ceramic, single bowl with draining surface, reversible, 3 1/2" basket strainer valve flush with premium rotational excenter fitting, chromed, drill hole 1 + 2 drilled through.

- suitable for worktop thicknesses from 30 mm
- requires beading all round or a support bar (beading depth 25 mm, beading width 8 mm)
- cutout dimensions approx. 840 x 490 mm, R 12 mm

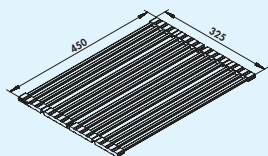
1091056	white glossy	1147.06 €
1091057	slate	1147.06 €
1091058	nero	1147.06 €
1091059	lava	1147.06 €
1091060	white matt	1147.06 €

Optional accessories

1091038	Bowl insert, stainless steel	180.67 €
1091039	Chopping board made of bamboo, oiled	167.23 €

Recommendations

5011308	Mio 3, chrome, high-pressure	230.25 €
---------	------------------------------	----------

**Filo dish drainer**

Folding mat. Foldable. Hollow stainless-steel rods ground, black silicone holder, food safe.

- foldable in segments
- stainless steel/silicone
- flat hollow rods in contoured silicone strips
- non-slip
- suitable for draining board or worktop
- 325 x 450 mm (W x D)

1013041 stainless steel

63.53 €

**Filso drip mat**

Drip mat made of silicone. Suitable for sub-structure and flush mounted sinks.

- food safe
- dishwasher safe
- temperature resistance –40 to 230 °C
- not suitable for cutting
- no folding
- 415 x 390 mm (W x D)

1013058 anthracite

105.88 €

**Cover cap drain cover**

1091030 stainless steel glossy 32.77 €

1091031 brushed stainless steel 34.87 €

1091032 ceramic, white glossy 71.85 €

1091033 ceramic, slate 71.85 €

1091034 ceramic, nero 71.85 €

1091035 ceramic, lava 71.85 €

1091040 ceramic, white matt 71.85 €

**Premium rotational excenter**

For PickUP/LineUP sinks.

We recommend the stainless steel premium rotational excenter for a stainless steel or stainless steel coloured faucet.

1091027 nero 63.87 €

1091037 stainless steel 63.87 €

1091036 chrome 54.62 €

**Bowl insert**

Bowl insert, stainless steel.

- 130 x 410 mm (W x D)

1091038 stainless steel

180.67 €

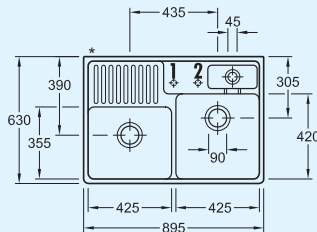
**Chopping board made of bamboo**

Chopping board made of bamboo, oiled.

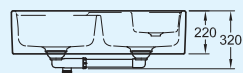
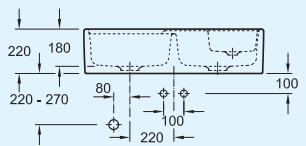
- 300 x 460 mm (W x D)

1091039 oiled

167.23 €



OrderNo. 1094063



Butler sink double bowl



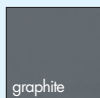
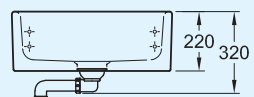
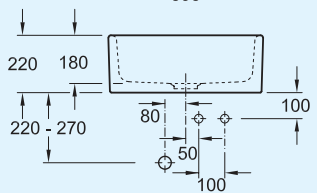
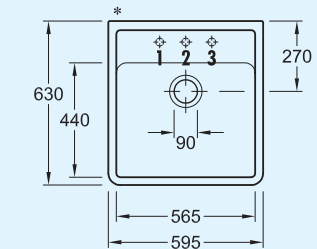
Butler sink, ceramic. Double bowl incl. half bowl, crystal clear. 3½" basket strainer valve flush, rotational excenter fitting, chrome-plated, turning knob stainless steel coloured and attachment set for installation on a floor cabinet.

- the back of the sink is unglazed and provided with two mounting holes
- sink is delivered with 2 drill holes (1 + 2)
- **Please state if no drill hole is required.**
- **with half bowl insert**

1094051	white glossy	1613.45 €
1094067	graphite	1613.45 €

Optional accessories

1094063	Wire basket, stainless steel	176.47 €
1094064	Attachment set for wall mount	184.87 €



Butler sink single bowl



Butler sink, ceramic. Single bowl. 3½" basket strainer valve flush, rotational excenter fitting, chrome-plated, turning knob stainless steel coloured, attachment set for installation on a floor cabinet.

- rear of sink is unglazed
- sink is delivered with 2 drill holes (1 + 2)
- **Please state if different drill hole (1, 2 or 3) or none is required.**

1094020	white glossy	934.45 €
1094069	graphite	934.45 €

Optional accessories

1094064	Attachment set for wall mount	184.87 €
---------	-------------------------------	----------

NABER-CONTURA®

Ceramics

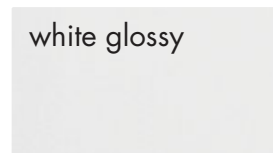


Lavara/Patera –
counter-top basins for stylish living

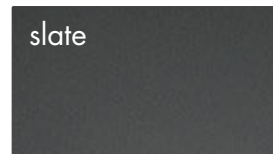


Colours

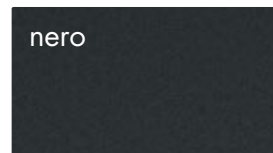
white glossy



slate



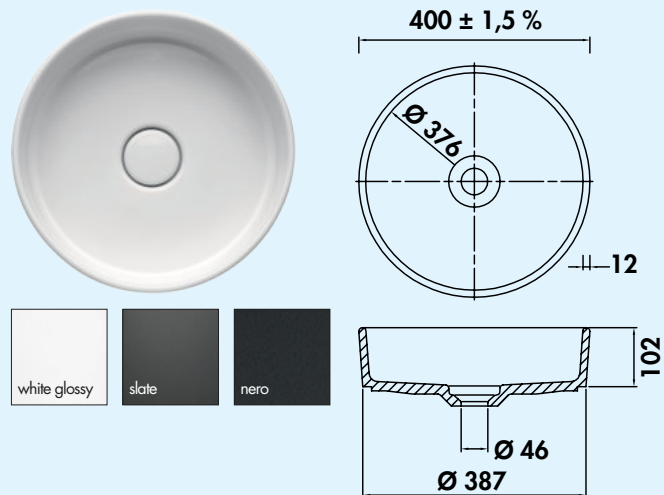
nero



Lavara and **Patera** give nothing but pleasure! The counter-top basins made of high-quality porcelain stoneware are timelessly beautiful in form and of superior ceramic quality. They are therefore among the selected details of a well-kept living atmosphere.

Modern colour variations ensure a seamless connection with all upmarket interiors. Whether round or square – together with the precisely matching, perfectly shaped faucet, an ensemble is created that adds unobtrusive elegance to its surroundings.





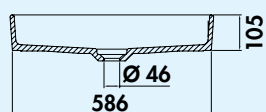
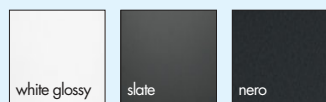
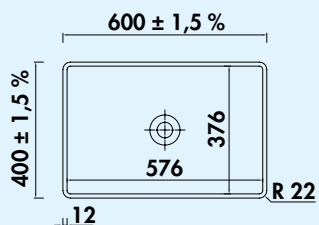
Patera 40

Top mounted washbasin round. Ceramics.

- incl. drain with ceramic cover
- cut-out approx. Ø 357 mm
- bowl can not be closed

Matching bathroom faucets can be found in catalogue 1 page 113–120/24 EN.
Matching odour traps can be found in catalogue 2 Page 116/24 EN.

1091100	white glossy	890.76 €
1091101	slate	970.59 €
1091102	nero	970.59 €



Lavara 60

Top mounted washbasin angular. Ceramics.

- incl. drain with ceramic cover
- cut-out approx. 555 x 355 mm
- bowl can not be closed

Matching bathroom faucets can be found in catalogue 1 page 113–120/24 EN.
Matching odour traps can be found in catalogue 2 Page 116/24 EN.

1091110	white glossy	1099.16 €
1091111	slate	1239.50 €
1091112	nero	1239.50 €

Composite NABER-CONTURA®

Cin Nagranit –
seduction for the senses



■ Angola 100	Page 47
Angola 100 L	Page 48
Angola 150	Page 49
Corto 615	Page 50
Corto 780	Page 51
Angola 40	Page 52
Angola 56	Page 53
Singoli 600	Page 54
Drip tray made of stainless steel	Page 55
Care set Cin-Nagranit	Page 55
Filo dish drainer	Page 55
Filso drip mat	Page 55
Spare parts	Page 55

NABER-CONTURA® Composite

Cin Nagraanit – seduction for the senses

Cin-Nagraanit sinks are an excellent choice in which sensory attractiveness and rational aspects are perfectly harmonised. So the decision for the composite material of the sinks is only logical: it has advantages, the combination of which can hardly be achieved by other materials.

First and foremost is the outstanding resilience. Cin-Nagraanit sinks are inspired by nature and are made with a high component of quartz stone using state of the art technology. Cin-Nagraanit is water, scratch and stain-resistant, non-swelling, easy to clean, food safe and extremely durable. Even after many years of use, Cin-Nagraanit retains its distinct colour intensity and beauty.

In addition, Cin-Nagraanit sinks lure with the seductive Touchfeel of an incomparably smooth surface and a varied range of colours and shapes. The best impression of this is conveyed by the Cin-Nagra-

anit sample case. Emotionally strong tactile and visual stimuli impressively enable you to experience the sink surface, which is both robust and velvety, and simply invites you to touch it.

Sharp-contoured lines and unobtrusively elegant granite colours support the creative adaptation of the Cin-Nagraanit sinks to all styles of kitchen. To make diverse personal design wishes possible, Cin-Nagraanit sinks are also optionally available with matching faucets. It is only natural that we also pay attention to the highest quality! The design and unsurpassed functionality of the faucet and sink thus convey an evident characteristic of outstanding kitchen architecture.

NABER-CONTURA® composite sinks are tested according to the European standard BS ES 13310:2015 and can easily be used in combination with hot water fittings (+/- 100 °C).

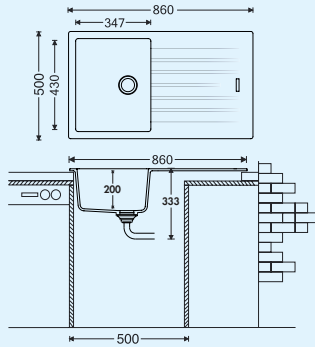


Colours



Composite sample book Order no. 1100028





500 mm
CABINET

OrderNo. 1106051



Angola 100



Built-in sink. Composite, with draining surface, reversible. 3 1/2" basket strainer valve flush with rotational excenter fitting, chrome-plated.

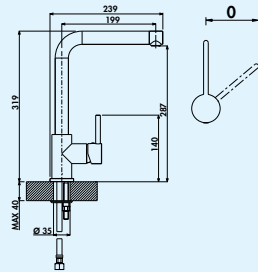
- both sides drilled through
- suitable for worktop thicknesses from 22 mm to 44 mm
- cut-out dimensions ca. 840 x 480 mm
- can also be used in combination with hot water fittings (+/-100 °C)

Colour samples see catalogue 1 pages 46/24 EN.

1106001	granite nero	327.73 €
1106002	granite espresso	327.73 €
1106003	granite metallico	327.73 €
1106005	granite magnolia	327.73 €
1106006	granite concrete	327.73 €
1106007	granite lava	327.73 €

Optional accessories

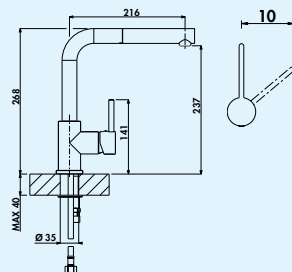
1106051	Drip tray made of stainless steel, 466 x 252 mm	121.85 €
---------	---	----------



Gramix 1 high pressure faucet

Swivel range 360°, drill Ø 35 mm.

1100401	granite nero	239.33 €
1100402	granite espresso	239.33 €
1100403	granite metallico	239.33 €
1100405	granite magnolia	239.33 €
1100406	granite concrete	239.33 €
1100407	granite lava	239.33 €

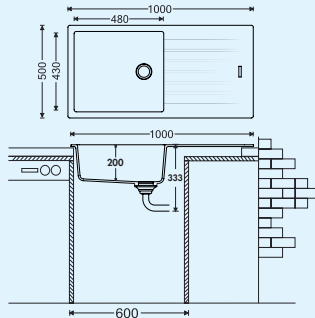


Gramix 2 high pressure faucet

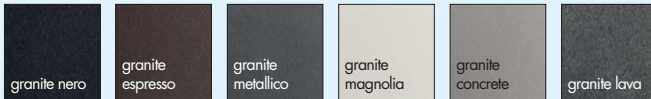
BELGAQUA

With pull-out outlet. Swivel range 360°, drill Ø 35 mm.

1100411	granite nero	278.40 €
1100412	granite espresso	278.40 €
1100413	granite metallico	278.40 €
1100415	granite magnolia	278.40 €
1100416	granite concrete	278.40 €
1100417	granite lava	278.40 €



Order-No. 1106051



Angola 100 L



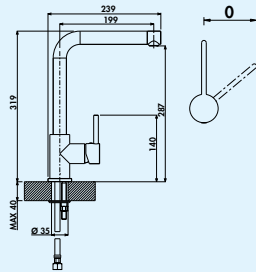
- Built-in sink. Composite, with large bowl and draining surface, reversible.
3½" basket strainer valve flush with rotational excenter fitting, chrome plated.
- pre-drilled on both sides
 - suitable for worktop thicknesses from 22 mm to 44 mm
 - cut-out dimensions ca. 980 x 480 mm
 - can also be used in combination with hot water fittings (+/-100 °C)

Colour samples see catalogue 1 pages 46/24 EN.

1106031	granite nero	369.75 €
1106032	granite espresso	369.75 €
1106033	granite metallico	369.75 €
1106035	granite magnolia	369.75 €
1106036	granite concrete	369.75 €
1106037	granite lava	369.75 €

Optional accessories

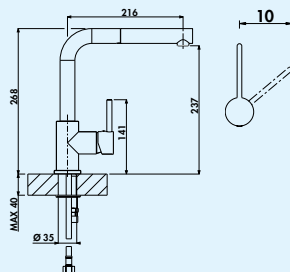
1106051	Drip tray made of stainless steel, 466 x 252 mm	121.85 €
---------	---	----------



Gramix 1 high pressure faucet

Swivel range 360°, drill Ø 35 mm.

1100401	granite nero	239.33 €
1100402	granite espresso	239.33 €
1100403	granite metallico	239.33 €
1100405	granite magnolia	239.33 €
1100406	granite concrete	239.33 €
1100407	granite lava	239.33 €

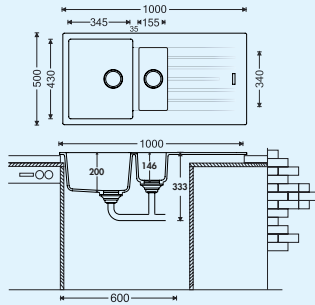


Gramix 2 high pressure faucet

BELGAQUA

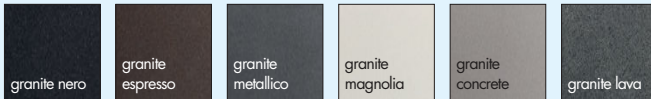
With pull-out outlet. Swivel range 360°, drill Ø 35 mm.

1100411	granite nero	278.40 €
1100412	granite espresso	278.40 €
1100413	granite metallico	278.40 €
1100415	granite magnolia	278.40 €
1100416	granite concrete	278.40 €
1100417	granite lava	278.40 €



600 mm
CABINET

Order-No. 1106051



Angola 150



Built-in sink. Composite, with draining surface and half sink, reversible. 3 1/2" basket strainer valve flush with rotational excenter fitting, chrome-plated. Half sink closeable.

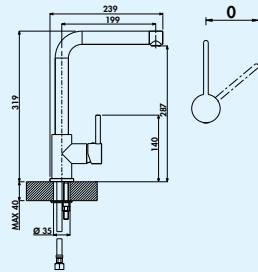
- both sides drilled through
- suitable for worktop thicknesses from 22 mm to 44 mm
- cut-out dimensions ca. 980 x 480 mm
- **without half sink insert**
- can also be used in combination with hot water fittings (+/-100 °C)

Colour samples see catalogue 1 pages 46/24 EN.

1106011	granite nero	378.15 €
1106012	granite espresso	378.15 €
1106013	granite metallico	378.15 €
1106015	granite magnolia	378.15 €
1106016	granite concrete	378.15 €
1106017	granite lava	378.15 €

Optional accessories

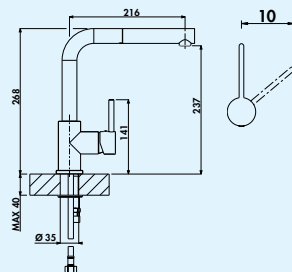
1106051	Drip tray made of stainless steel, 466 x 252 mm	121.85 €
1106052	Half sink insert, stainless steel, 337 x 182 mm	116.81 €



Gramix 1 high pressure faucet

Swivel range 360°, drill Ø 35 mm.

1100401	granite nero	239.33 €
1100402	granite espresso	239.33 €
1100403	granite metallico	239.33 €
1100405	granite magnolia	239.33 €
1100406	granite concrete	239.33 €
1100407	granite lava	239.33 €

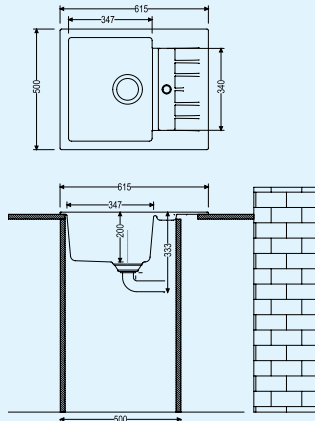


Gramix 2 high pressure faucet

BELGAQUA

With pull-out outlet. Swivel range 360°, drill Ø 35 mm.

1100411	granite nero	278.40 €
1100412	granite espresso	278.40 €
1100413	granite metallico	278.40 €
1100415	granite magnolia	278.40 €
1100416	granite concrete	278.40 €
1100417	granite lava	278.40 €



OrderNo. 1106051

**Corto 615**

Built-in sink. Composite, with small draining surface, reversible.
 3½" basket strainer valve flush with rotational excenter fitting, chrome-plated.

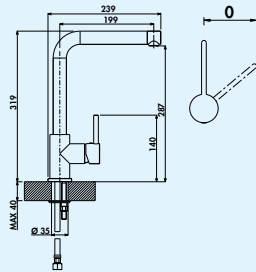
- both sides drilled through
- suitable for worktop thicknesses from 22 mm to 44 mm
- cut-out dimensions ca. 595 x 480 mm
- can also be used in combination with hot water fittings (+/-100 °C)

Colour samples see catalogue 1 pages 46/24 EN.

1106081	granite nero	289.92 €
1106082	granite espresso	289.92 €
1106083	granite metallico	289.92 €
1106085	granite magnolia	289.92 €
1106086	granite concrete	289.92 €
1106087	granite lava	289.92 €

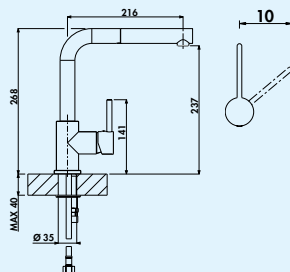
Optional accessories

1106051	Drip tray made of stainless steel, 466 x 252 mm	121.85 €
---------	---	----------

**Gramix 1 high pressure faucet**

Swivel range 360°, drill Ø 35 mm.

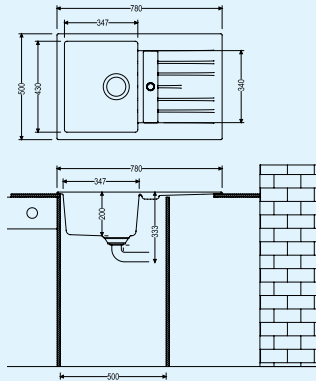
1100401	granite nero	239.33 €
1100402	granite espresso	239.33 €
1100403	granite metallico	239.33 €
1100405	granite magnolia	239.33 €
1100406	granite concrete	239.33 €
1100407	granite lava	239.33 €

**Gramix 2 high pressure faucet**

BELGAQUA

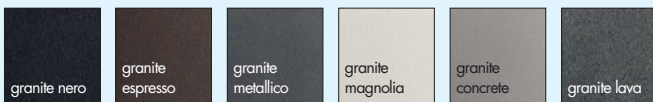
With pull-out outlet. Swivel range 360°, drill Ø 35 mm.

1100411	granite nero	278.40 €
1100412	granite espresso	278.40 €
1100413	granite metallico	278.40 €
1100415	granite magnolia	278.40 €
1100416	granite concrete	278.40 €
1100417	granite lava	278.40 €



500 mm
CABINET

Order-No. 1106051



Corto 780



Built-in sink. Composite, with small draining surface, reversible.
3 1/2" basket strainer valve flush with rotational excenter fitting, chrome-plated.

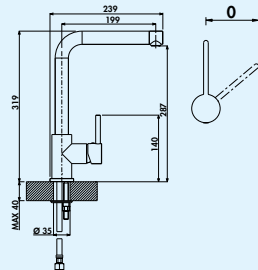
- both sides drilled through
- suitable for worktop thicknesses from 22 mm to 44 mm
- cut-out dimensions ca. 760 x 480 mm
- can also be used in combination with hot water fittings (+/-100 °C)

Colour samples see catalogue 1 pages 46/24 EN.

1106041	granite nero	310.92 €
1106042	granite espresso	310.92 €
1106043	granite metallico	310.92 €
1106045	granite magnolia	310.92 €
1106046	granite concrete	310.92 €
1106047	granite lava	310.92 €

Optional accessories

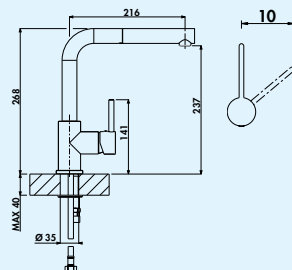
1106051	Drip tray made of stainless steel, 466 x 252 mm	121.85 €
---------	---	----------



Gramix 1 high pressure faucet

Swivel range 360°, drill Ø 35 mm.

1100401	granite nero	239.33 €
1100402	granite espresso	239.33 €
1100403	granite metallico	239.33 €
1100405	granite magnolia	239.33 €
1100406	granite concrete	239.33 €
1100407	granite lava	239.33 €

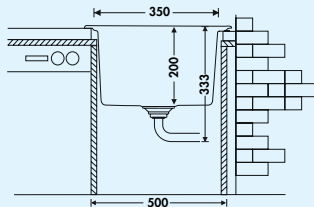
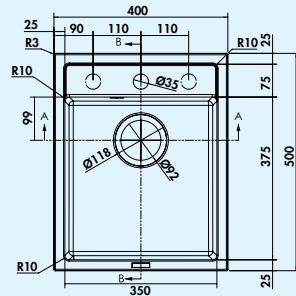


Gramix 2 high pressure faucet

BELGAQUA

With pull-out outlet. Swivel range 360°, drill Ø 35 mm.

1100411	granite nero	278.40 €
1100412	granite espresso	278.40 €
1100413	granite metallico	278.40 €
1100415	granite magnolia	278.40 €
1100416	granite concrete	278.40 €
1100417	granite lava	278.40 €



Angola 40



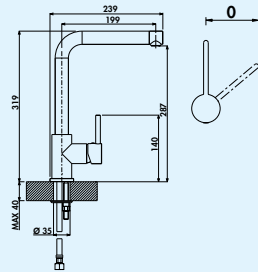
Built-in sink. Composite, single bowl. 3½" basket strainer valve flush with rotational excenter fitting, chrome-plated. 3 pre-drilled holes, **drill holes must be completed during assembly.**

Also suitable for flush installation.

- suitable for worktop thicknesses from 22 mm to 44 mm
- cut-out dimensions ca. 380 x 480 mm (built-in sink)
- can also be used in combination with hot water fittings (+/-100 °C)

Colour samples see catalogue 1 pages 46/24 EN.

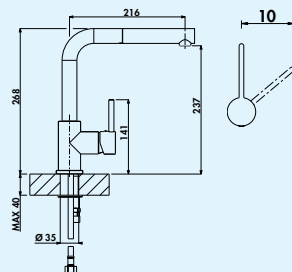
1106111	granite nero	289.92 €
1106112	granite espresso	289.92 €
1106113	granite metallico	289.92 €
1106114	granite magnolia	289.92 €
1106115	granite concrete	289.92 €
1106116	granite lava	289.92 €



Gramix 1 high pressure faucet

Swivel range 360°, drill Ø 35 mm.

1100401	granite nero	239.33 €
1100402	granite espresso	239.33 €
1100403	granite metallico	239.33 €
1100405	granite magnolia	239.33 €
1100406	granite concrete	239.33 €
1100407	granite lava	239.33 €

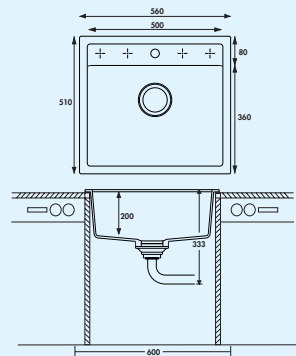


Gramix 2 high pressure faucet

BELGAQUA

With pull-out outlet. Swivel range 360°, drill Ø 35 mm.

1100411	granite nero	278.40 €
1100412	granite espresso	278.40 €
1100413	granite metallico	278.40 €
1100415	granite magnolia	278.40 €
1100416	granite concrete	278.40 €
1100417	granite lava	278.40 €



Angola 56



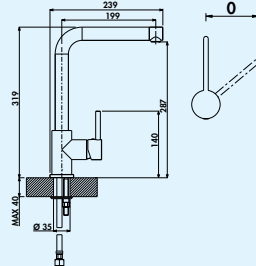
Built-in sink. Composite, single bowl. 3½" basket strainer valve flush with rotational excenter fitting, chrome-plated. 5 pre-drilled holes, **drill holes must be completed during assembly.**

Also suitable for flush installation.

- suitable for worktop thicknesses from 22 mm to 44 mm
- cut-out dimensions ca. 545 x 495 mm (built-in sink)
- can also be used in combination with hot water fittings (+/-100 °C)

Colour samples see catalogue 1 pages 46/24 EN.

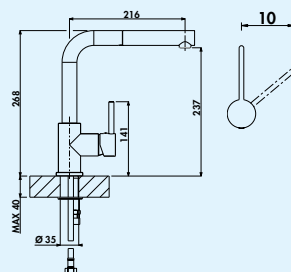
1106021	granite nero	339.50 €
1106022	granite espresso	339.50 €
1106023	granite metallico	339.50 €
1106025	granite magnolia	339.50 €
1106026	granite concrete	339.50 €
1106027	granite lava	339.50 €



Gramix 1 high pressure faucet

Swivel range 360°, drill Ø 35 mm.

1100401	granite nero	239.33 €
1100402	granite espresso	239.33 €
1100403	granite metallico	239.33 €
1100405	granite magnolia	239.33 €
1100406	granite concrete	239.33 €
1100407	granite lava	239.33 €

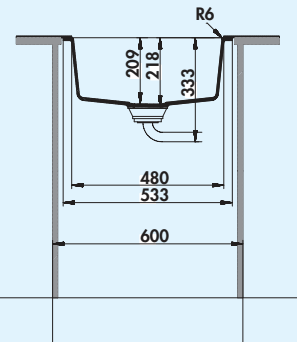
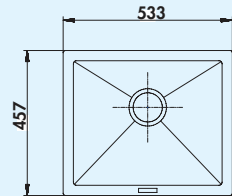


Gramix 2 high pressure faucet

BELGAQUA

With pull-out outlet. Swivel range 360°, drill Ø 35 mm.

1100411	granite nero	278.40 €
1100412	granite espresso	278.40 €
1100413	granite metallico	278.40 €
1100415	granite magnolia	278.40 €
1100416	granite concrete	278.40 €
1100417	granite lava	278.40 €



Singoli 600

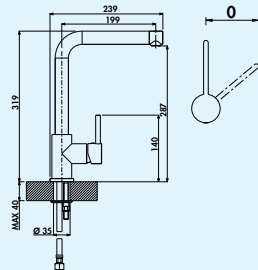


Sub-structure sink. Composite, single bowl. 3½" basket strainer valve flush, rotational excenter fitting, chrome plated.

- suitable for worktop thicknesses from 22 mm to 44 mm
- **eccentric handle drilling dimension Ø 35 mm**
- cut-out dimensions ca. 468 x 390 mm
- can also be used in combination with hot water fittings (+/-100 °C)

Colour samples see catalogue 1 pages 46/24 EN.

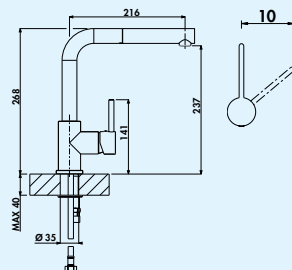
1106071	granite nero	346.22 €
1106072	granite espresso	346.22 €
1106073	granite metallico	346.22 €
1106075	granite magnolia	346.22 €
1106076	granite concrete	346.22 €
1106077	granite lava	346.22 €



Gramix 1 high pressure faucet

Swivel range 360°, drill Ø 35 mm.

1100401	granite nero	239.33 €
1100402	granite espresso	239.33 €
1100403	granite metallico	239.33 €
1100405	granite magnolia	239.33 €
1100406	granite concrete	239.33 €
1100407	granite lava	239.33 €



Gramix 2 high pressure faucet

BELGAQUA

With pull-out outlet. Swivel range 360°, drill Ø 35 mm.

1100411	granite nero	278.40 €
1100412	granite espresso	278.40 €
1100413	granite metallico	278.40 €
1100415	granite magnolia	278.40 €
1100416	granite concrete	278.40 €
1100417	granite lava	278.40 €



Drip tray made of stainless steel



Fits Angola 100, Angola 100 L, Angola 150, Corto 615 and Corto 780.

1106051 466 x 252 mm

121.85 €



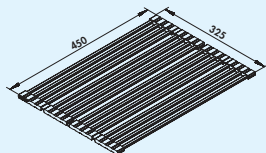
Care set Cin-Nagravit

Set consisting of 3 bottles à 50 ml incl. eraser sponge.

- 1 x easy care product
- 2 x descaler/stain remover

1100003

32.35 €



Filo dish drainer



Folding mat. Foldable. Hollow stainless-steel rods ground, black silicone holder, food safe.

- foldable in segments
- stainless steel/silicone
- flat hollow rods in contoured silicone strips
- non-slip
- suitable for draining board or worktop
- 325 x 450 mm (W x D)

1013041 stainless steel

63.53 €



Filso drip mat

Drip mat made of silicone. Suitable for sub-structure and flush mounted sinks.

- food safe
- dishwasher safe
- temperature resistance –40 to 230 °C
- not suitable for cutting
- no folding
- 415 x 390 mm (W x D)

1013058 anthracite

105.88 €

Spare parts drain connections

Fits Angola 100, Angola 100 L and Singoli 600:

1106063 3½" basket valve, rotational excenter fitting

48.57 €

For Angola 150:

1106061 3½" basket valve, rotational excenter fitting

61.60 €

For Corto 780 und Corto 615:

1106064 3½" basket valve, rotational excenter fitting

48.57 €

For Angola 56:

1106062 3½" basket valve, rotational excenter fitting

57.56 €

For Angola 40:

1106066 3½" basket valve, rotational excenter fitting

57.14 €

For Singoli 600:

1106065 3½" strainer basket insert, manually operated

15.21 €

